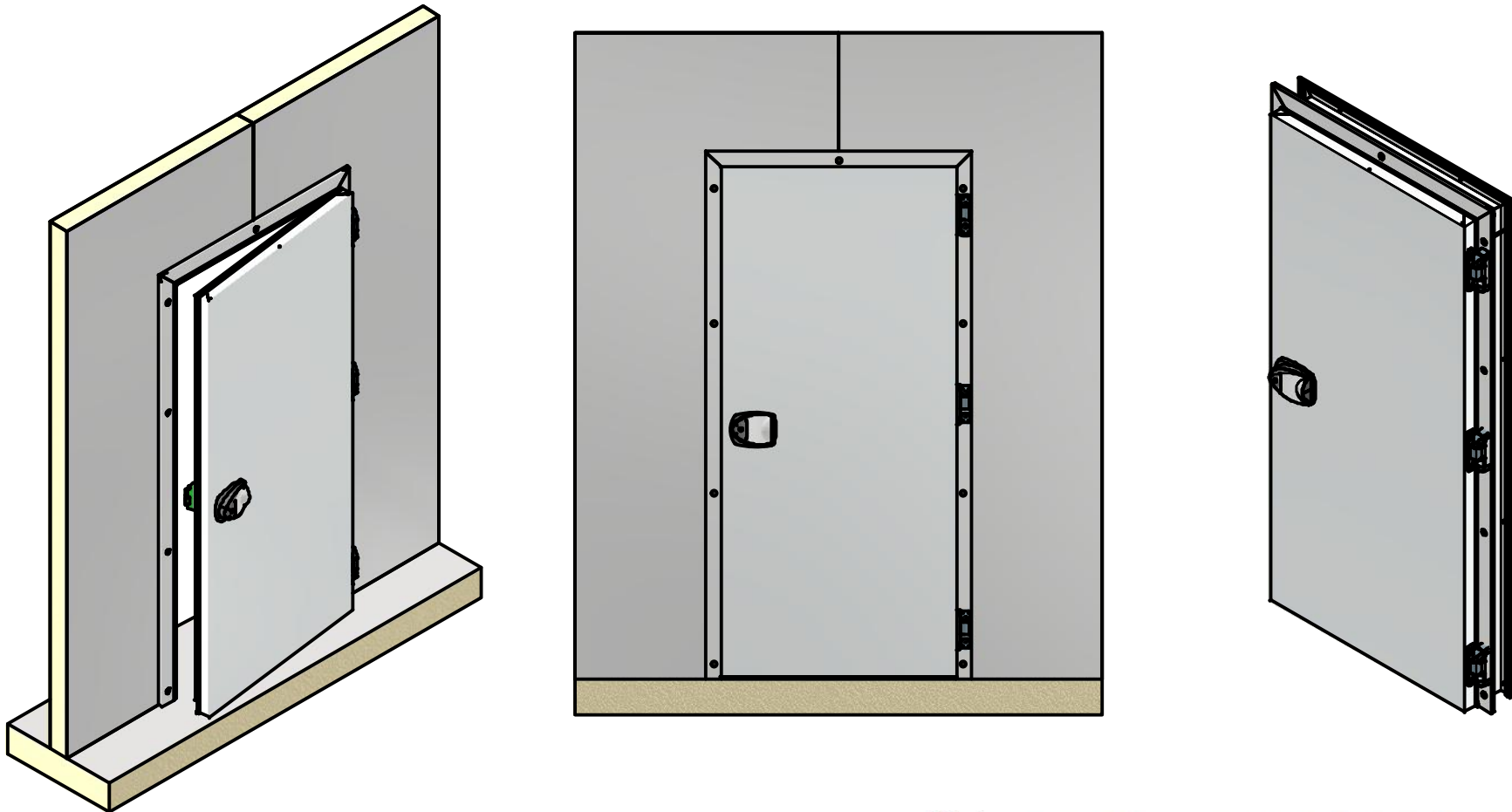
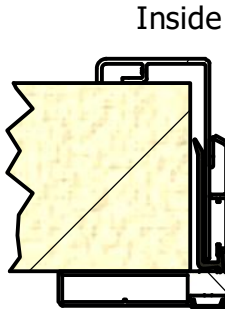
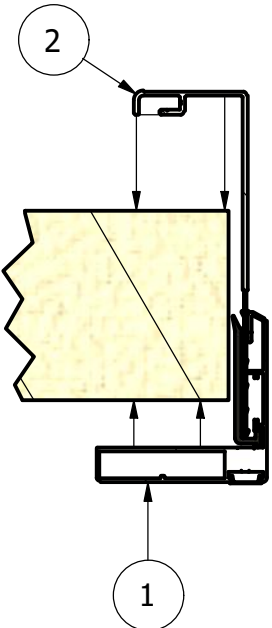


PASSTIGHT DOOR INSTALLATION MANUAL

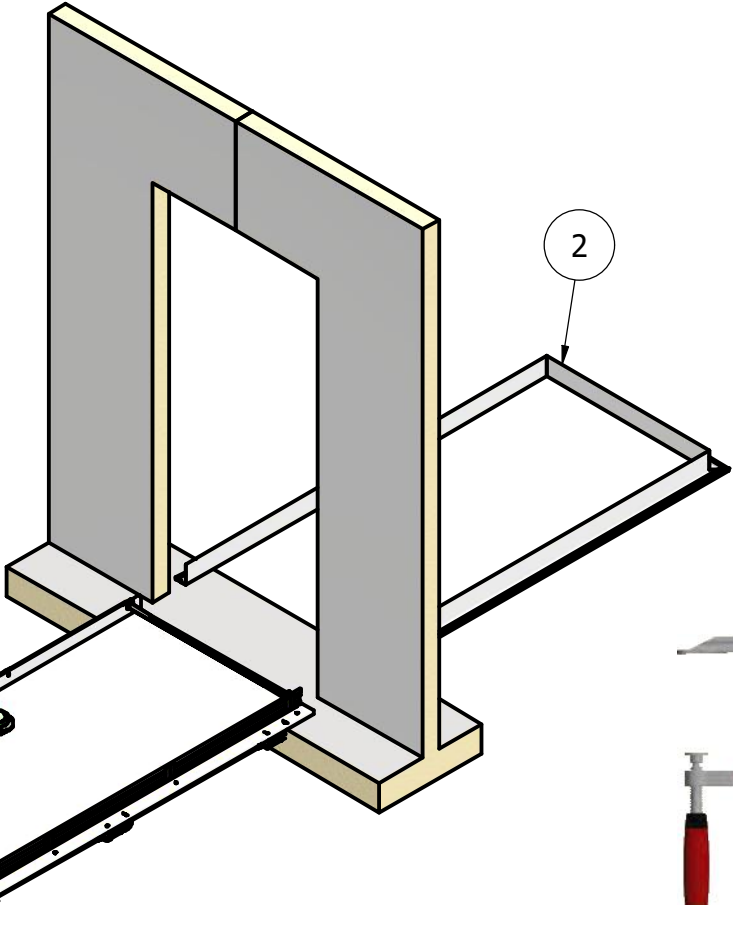
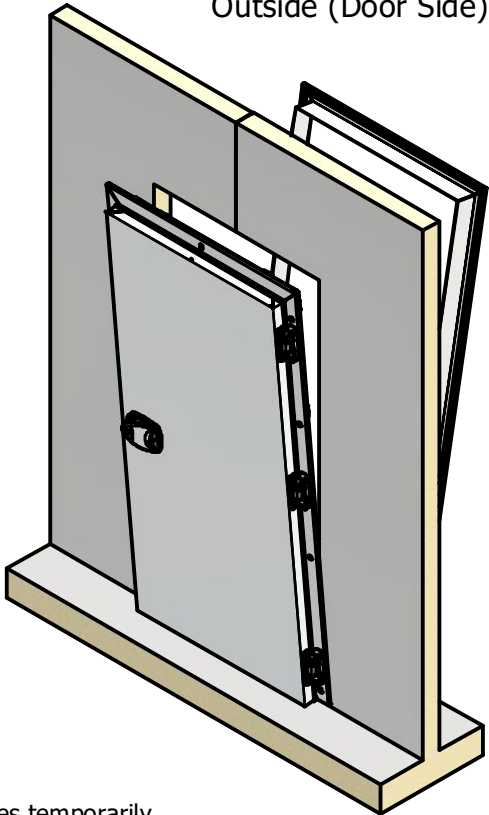


G R O W C O N T R O L L E D , L L C
100 APPLEWOOD DRIVE SPARTA MICHIGAN - SODUS NEW YORK - UNION GAP WASHINGTON - PADDOCK WOOD UK
T 616.256.0420 - F 616.887.1128 - INFO@GROWCONTROLLED.COM - GROWCONTROLLED.COM

INSTALLING THE DOOR FRAME

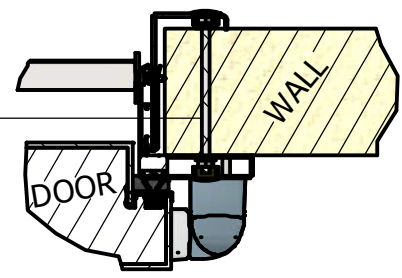
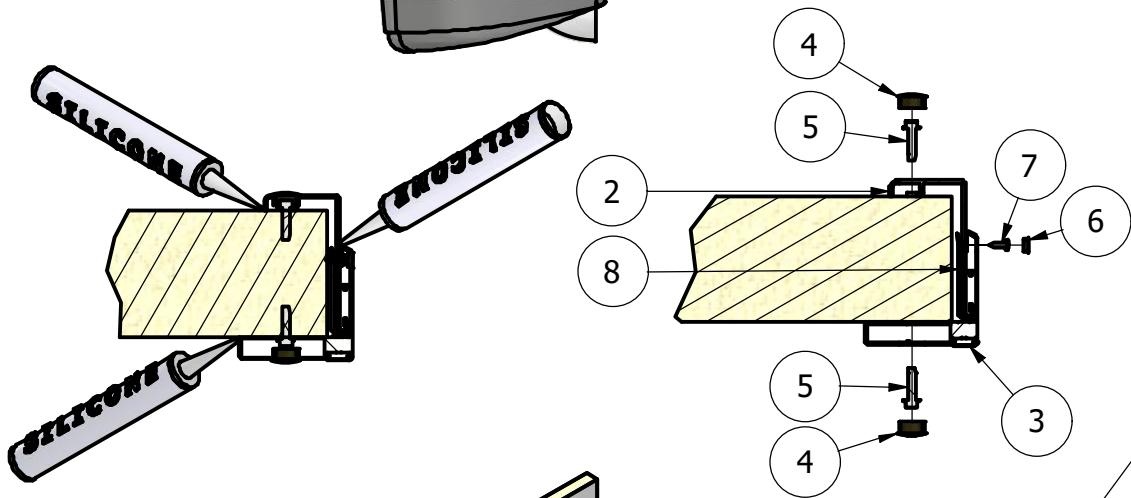
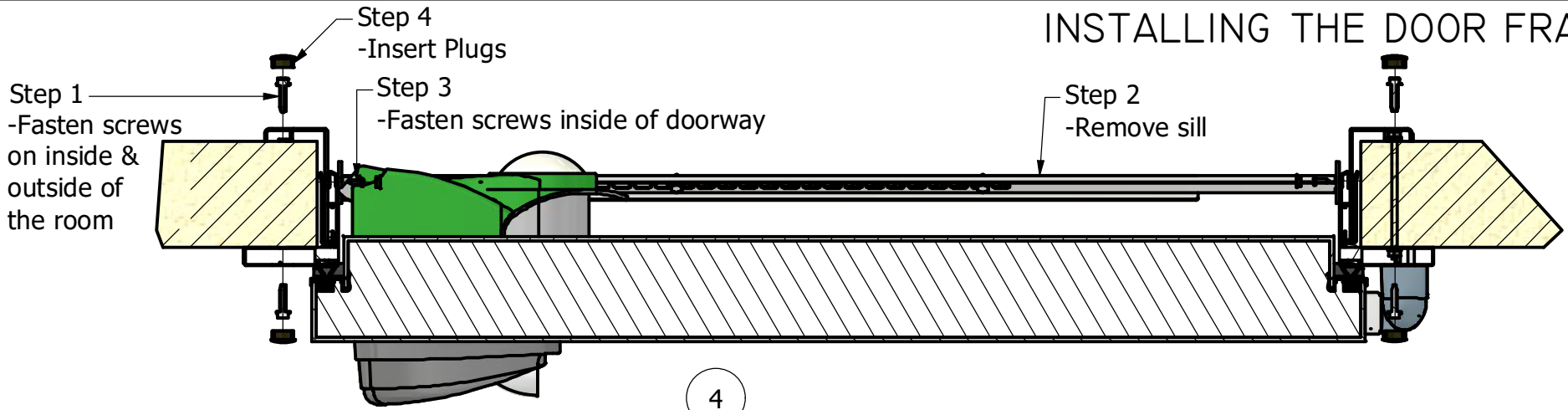


Outside (Door Side)

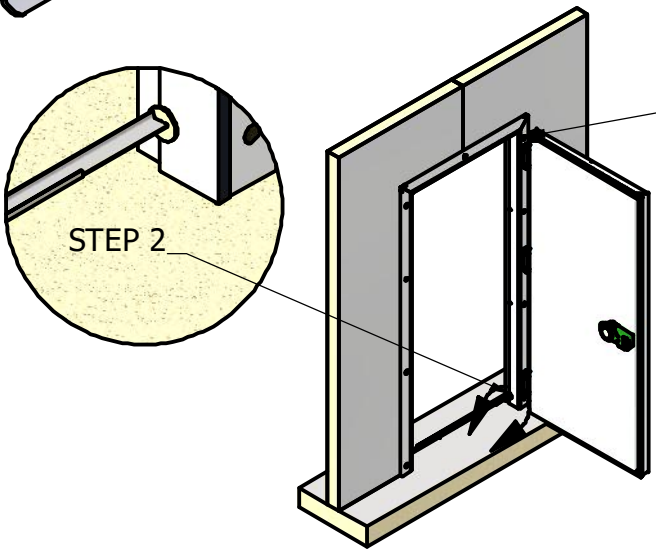


Secure frames temporarily with clamps

INSTALLING THE DOOR FRAME



At installer's discretion for the job, attach the supplied threaded rod above the top hinge for extra strength



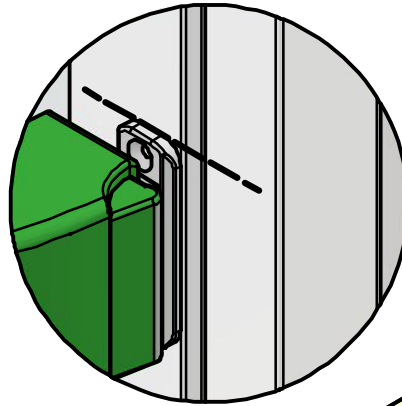
Complete assembly steps 1-4 after:
 -the frames are stood up & interlocking
 -Squared & Level

ITEM	QTY	DESCRIPTION
2	1	INSIDE FRAME
3	1	CLICK SEAL
4	19	PANEL PLUG
5	19	MOUNTING SCREW M6
6	10	SEALING PLUG
7	10	SELF-TAP TORX
8	10	FRAME CLAMP-BLACK

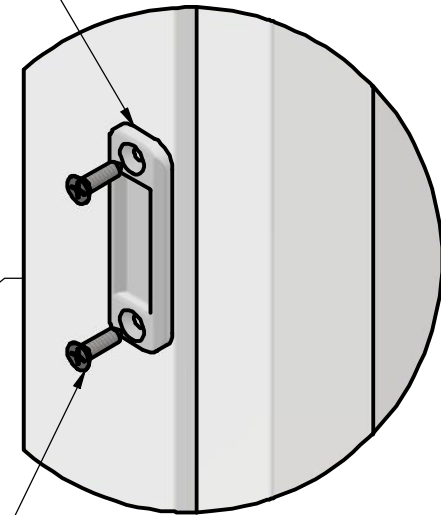
MOUNTING THE CLOSURE LATCH

Step 5

-Position and mark lock catch with door closed.



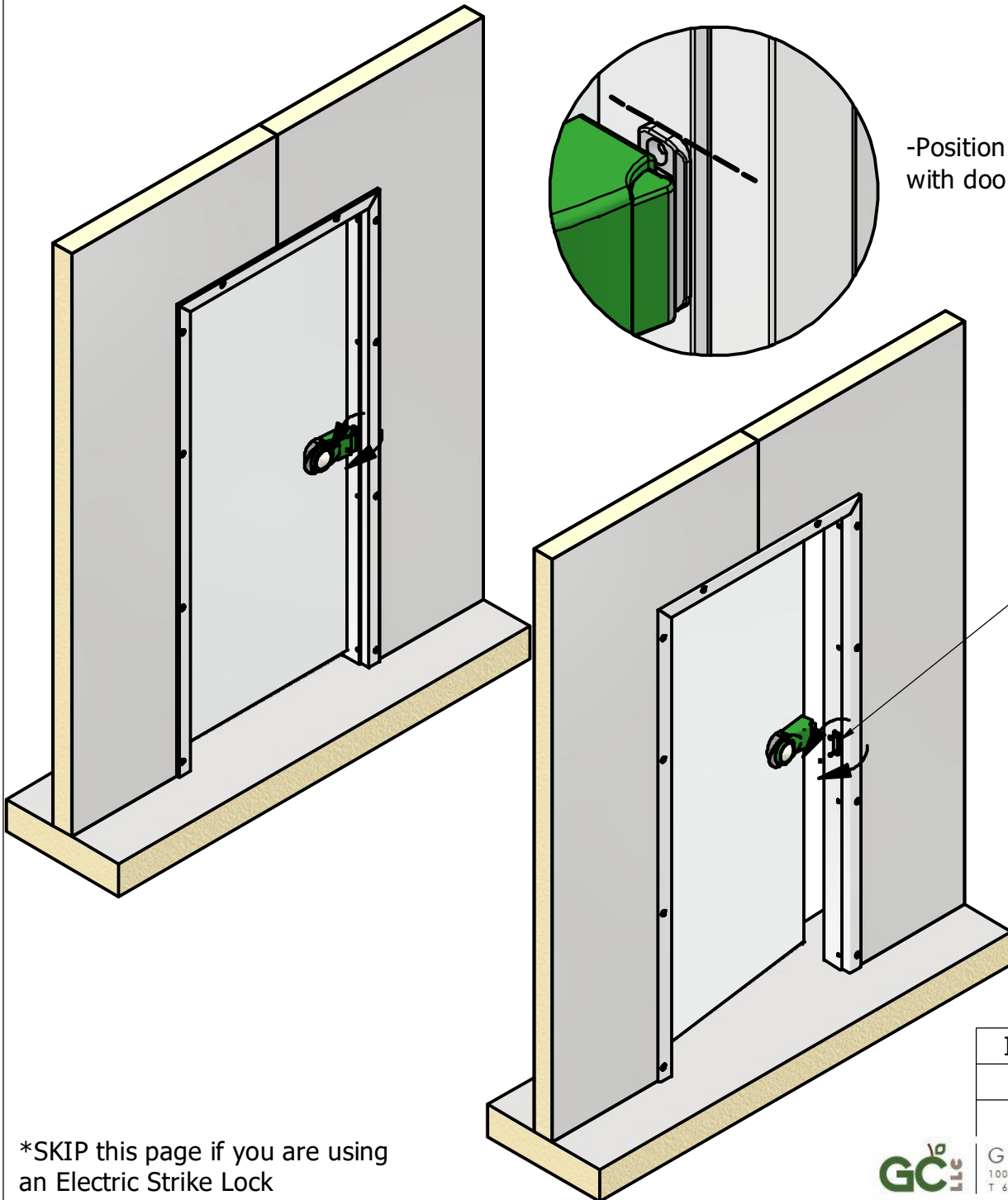
9



10

Step 6

-Mount lock catch with door open



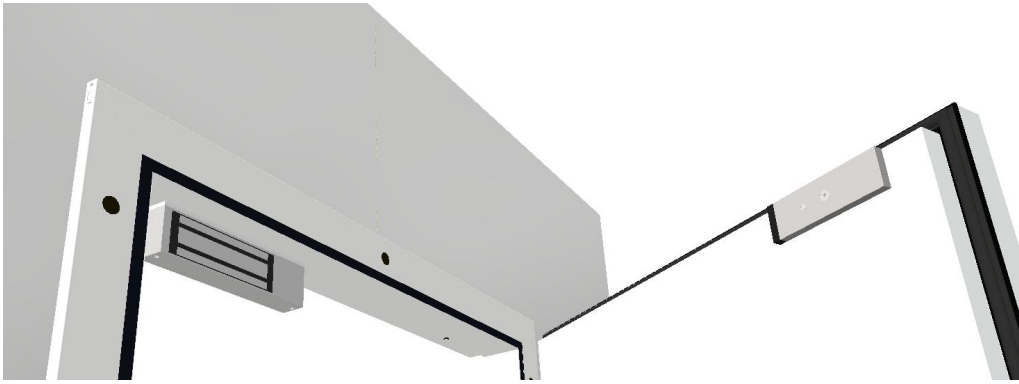
*SKIP this page if you are using an Electric Strike Lock

ITEM	QTY	DESCRIPTION
9	1	PUSH OPENER-LOCK CATCH
10	2	COUNTERSUNK SCREW M6X25



GROW CONTROLLED, LLC
 100 APPLEWOOD DRIVE SPARTA MICHIGAN · SODUS NEW YORK · UNION GAP WASHINGTON · PADDOCK WOOD UK
 T 616.266.0420 · F 616.887.1128 · INFO@GROWCONTROLLED.COM · GROWCONTROLLED.COM

INSTALLING THE MAGLOCK



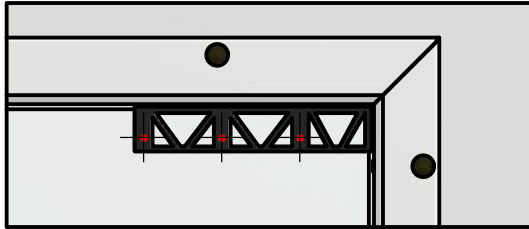
Materials:

- Maglock Installation Kit
- Maglock 3 Hole Template
 - $\frac{3}{16}$ " Center Punch
 - Mallet/Hammer
 - Guide Block
 - $\frac{5}{32}$ " Drill Bit
 - $\frac{1}{4}$ " Drill Bit
 - $\frac{21}{32}$ " Drill Bit
 - $\frac{3}{16}$ " Allen Wrench
- M8x1.25 x 4"L Screw
- $\varnothing\frac{5}{8}$ " x $3\frac{7}{8}$ "L Sleeve
- Thread-Cutting Fluid



INSTALLING THE MAGLOCK

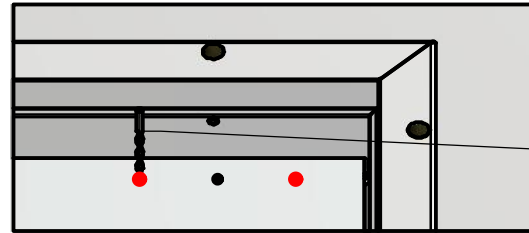
Step 1



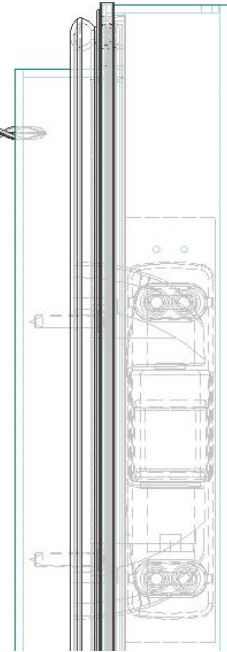
Inside of the Room:

- Place the 3 Hole Template on the top corner of the door- latching side
- Use a $\frac{3}{16}$ " center punch to mark each of the 3 holes

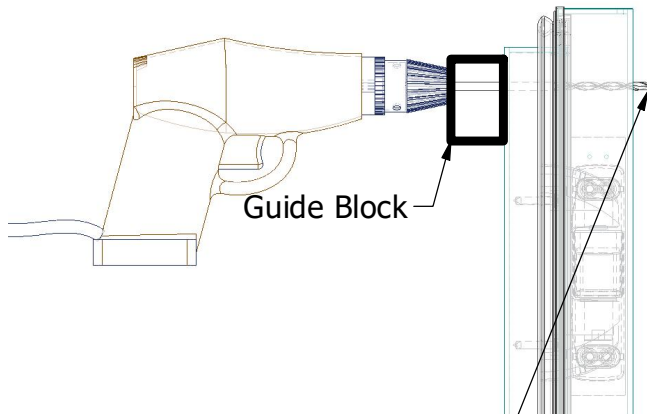
Step 2



- Using a $\frac{1}{4}$ " drill, drill the two outside holes through the first wall of the door



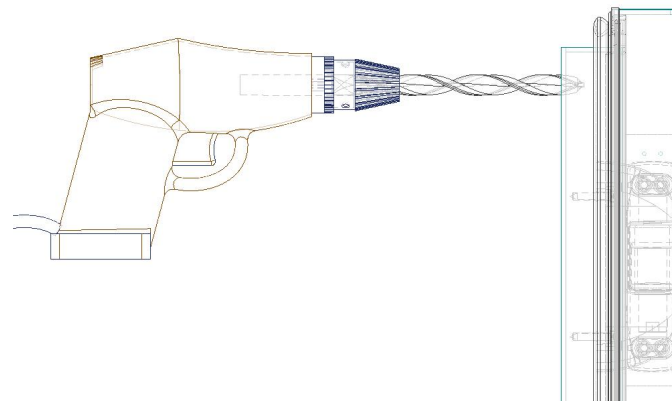
Step 3



For the center hole:

- Pilot hole-Using a $\frac{1}{4}$ " jobber drill, Drill all the way through the door

Step 4



- Drill the center hole with a $\frac{21}{32}$ " drill.
- *DO NOT GO THROUGH TO THE OTHER SIDE***
- INSIDE ROOM SIDE ONLY**

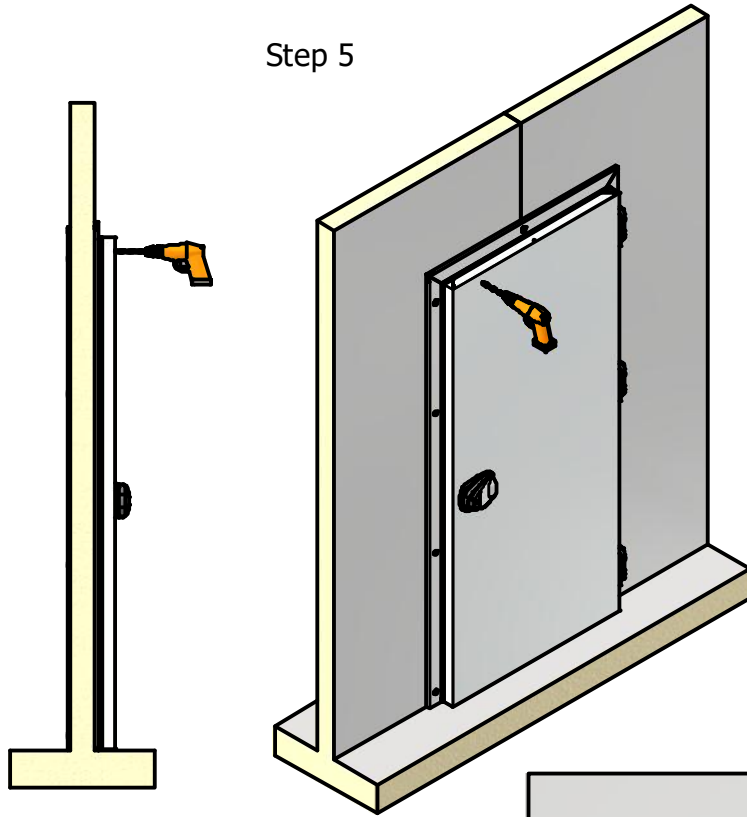
*Note: Steps 1-4 take place on the inside of the room



G R O W C O N T R O L L E D , L L C
100 APPLEWOOD DRIVE SPARTA MICHIGAN - SODUS NEW YORK - UNION GAP WASHINGTON - PADDOCK WOOD UK
T 616.256.0420 - F 616.887.1128 - INFO@GROWCONTROLLED.COM - GROWCONTROLLED.COM

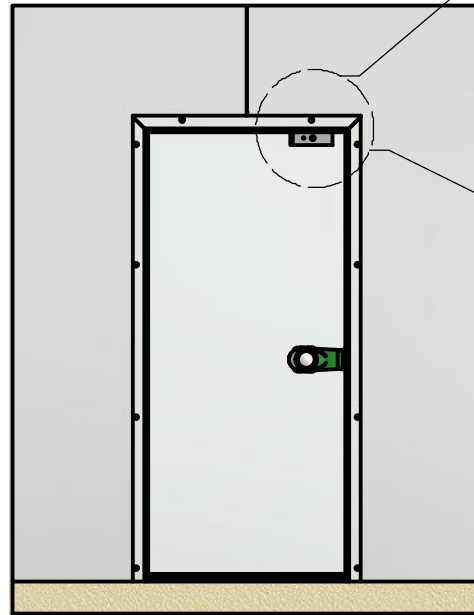
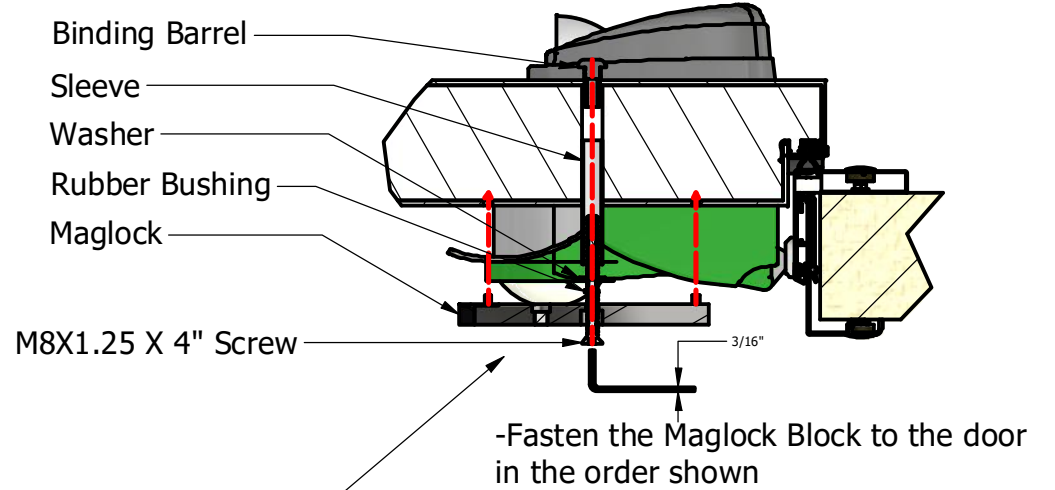
INSTALLING THE MAGLOCK

Step 5



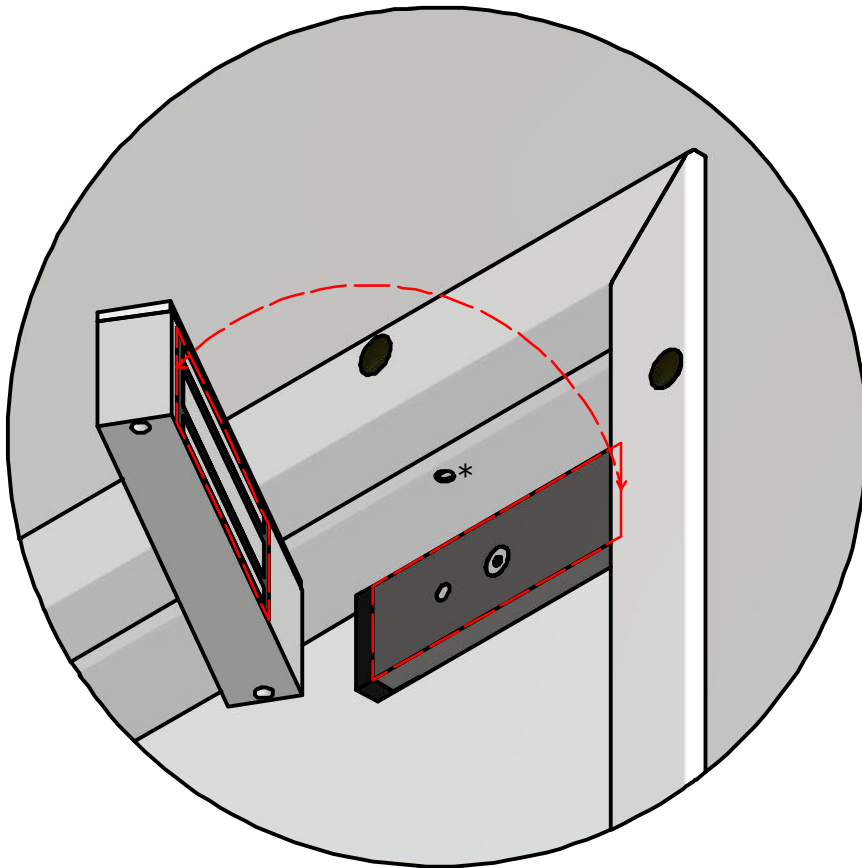
-Using a $\frac{1}{2}$ " drill, drill the hole on the outside of the room

Step 6



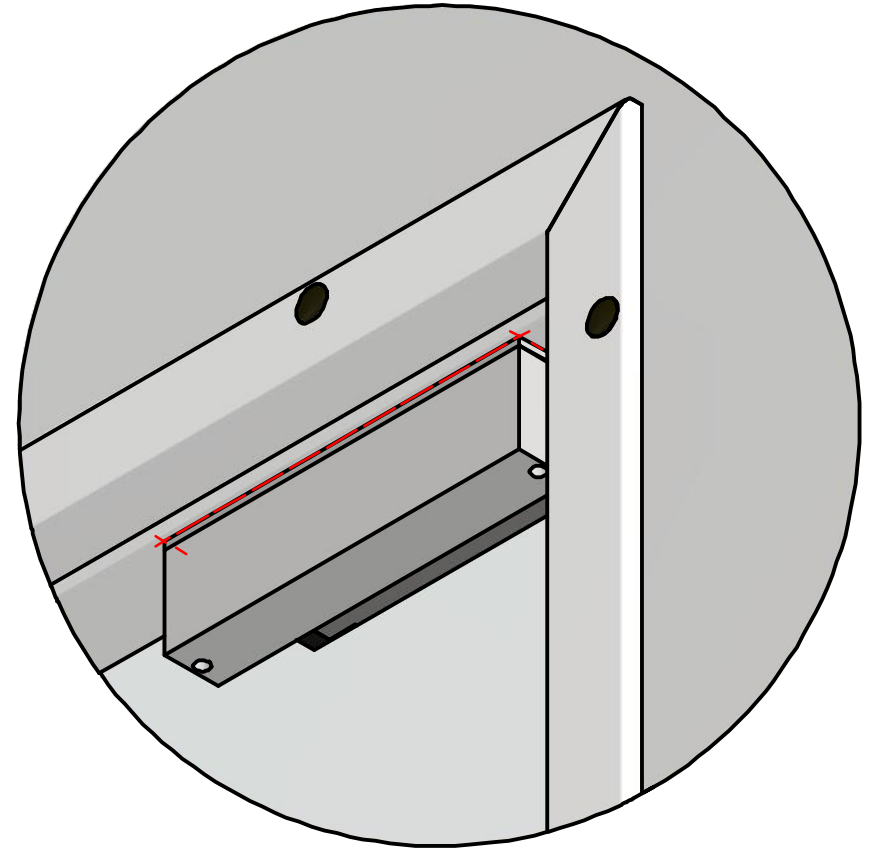
INSTALLING THE MAGLOCK

Step 7



-Position the two halves by aligning the magnetic strips with the block on the door

*Note-Black cap in wall frame will need to be removed



-Mark the positioning of the maglock to be fastened
-After marking the location, remove the mounting plate by unscrewing the shoulder screws with a

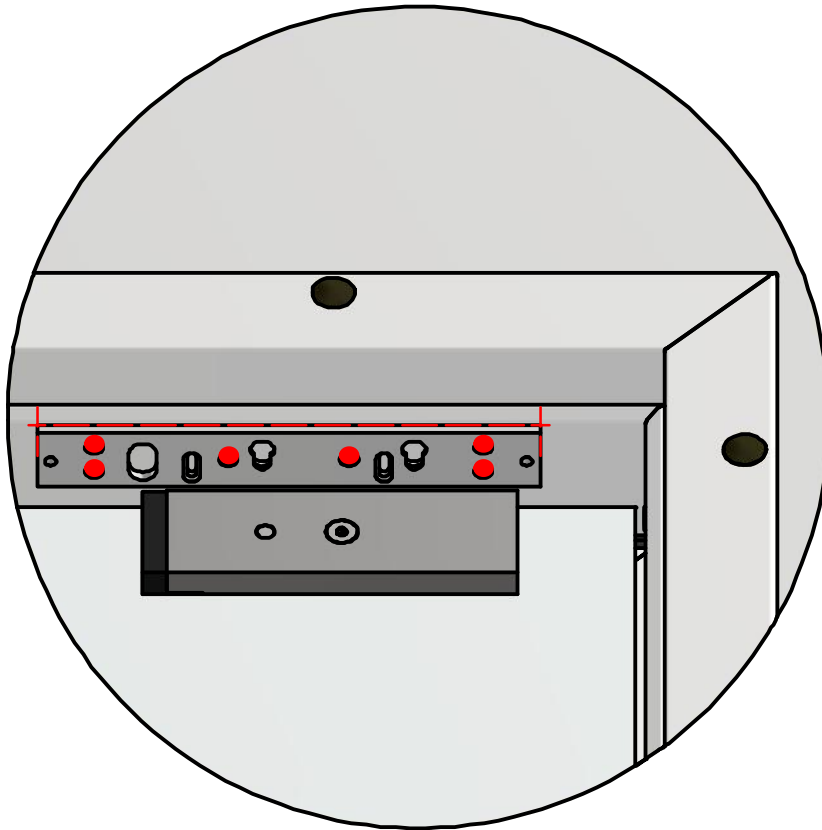
$\frac{3}{16}$ " allen wrench



G R O W C O N T R O L L E D , L L C
100 APPLEWOOD DRIVE SPARTA MICHIGAN - SODUS NEW YORK - UNION GAP WASHINGTON - PADDOCK WOOD UK
T 616.256.0420 - F 616.887.1128 - INFO@GROWCONTROLLED.COM - GROWCONTROLLED.COM

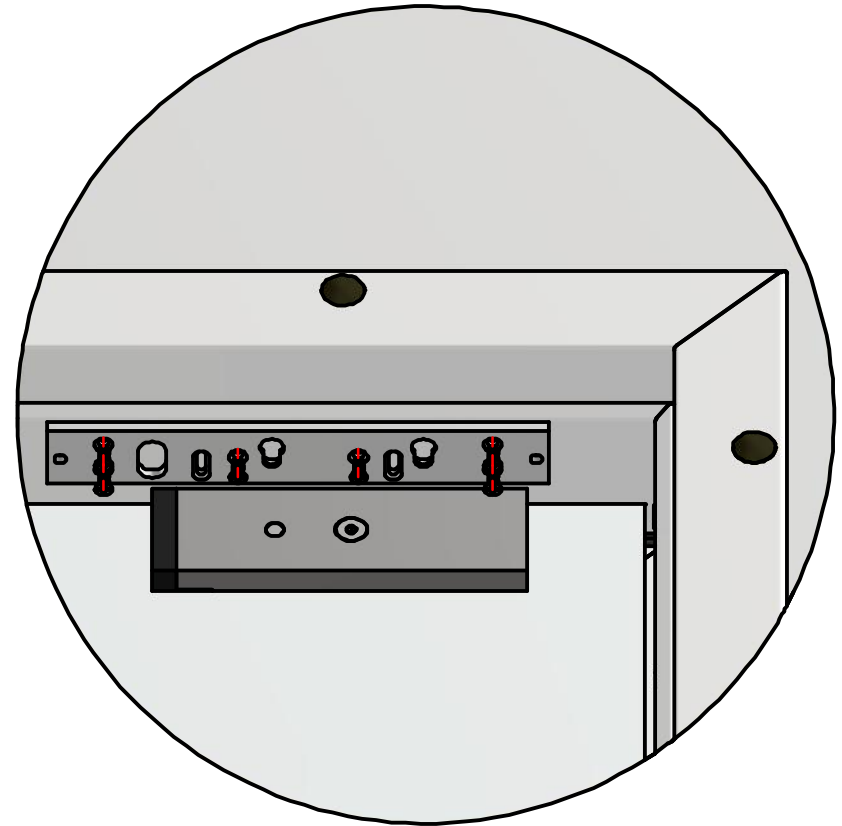
INSTALLING THE MAGLOCK

Step 8



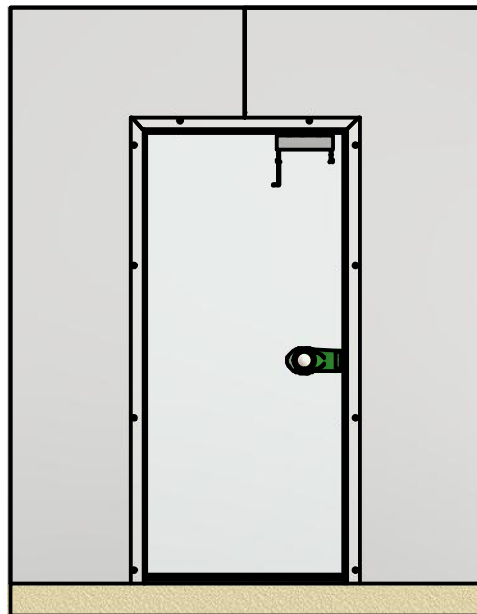
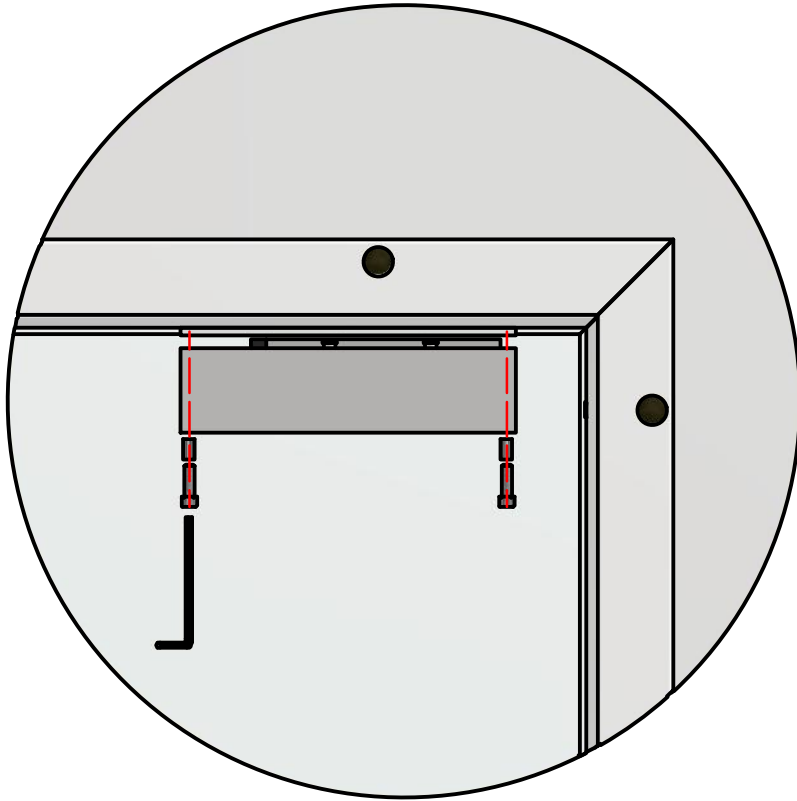
- Place mounting plate in position against the header
- Mark the hole locations
- Use a $\frac{5}{32}$ " drill bit to drill the holes
- *USE THREAD CUTTING FLUID*

Step 9



- Fasten the mounting plate to the header with the screws provided in the kit

INSTALLING THE MAGLOCK

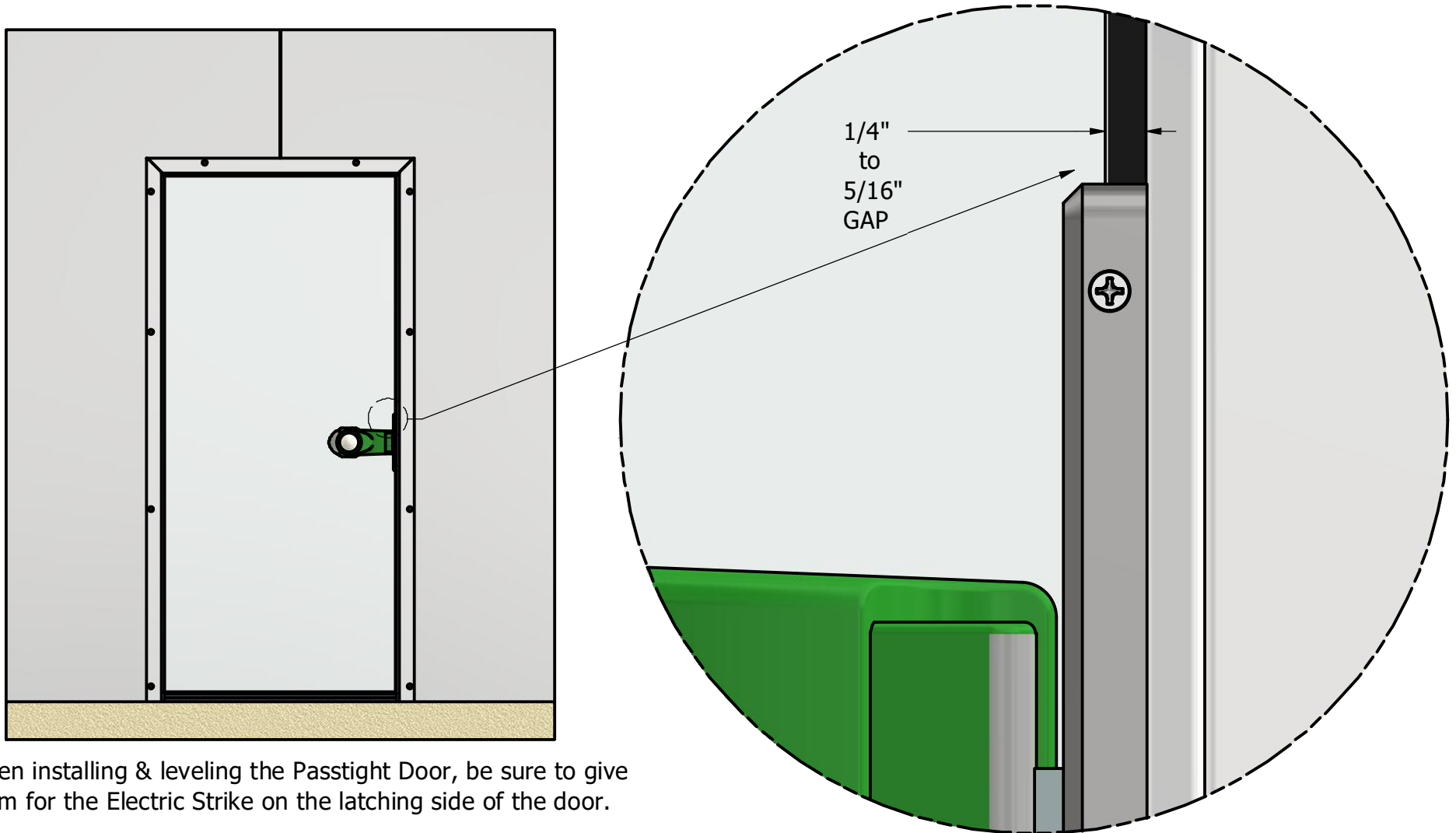


Step 10

- Slide the maglock into the slots on the mounting plate
- Everything should be flush
- Use the $\frac{3}{16}$ " allen wrench to tighten the shoulder screws back in place



INSTALLING THE ELECTRIC STRIKE



When installing & leveling the Passtight Door, be sure to give room for the Electric Strike on the latching side of the door.

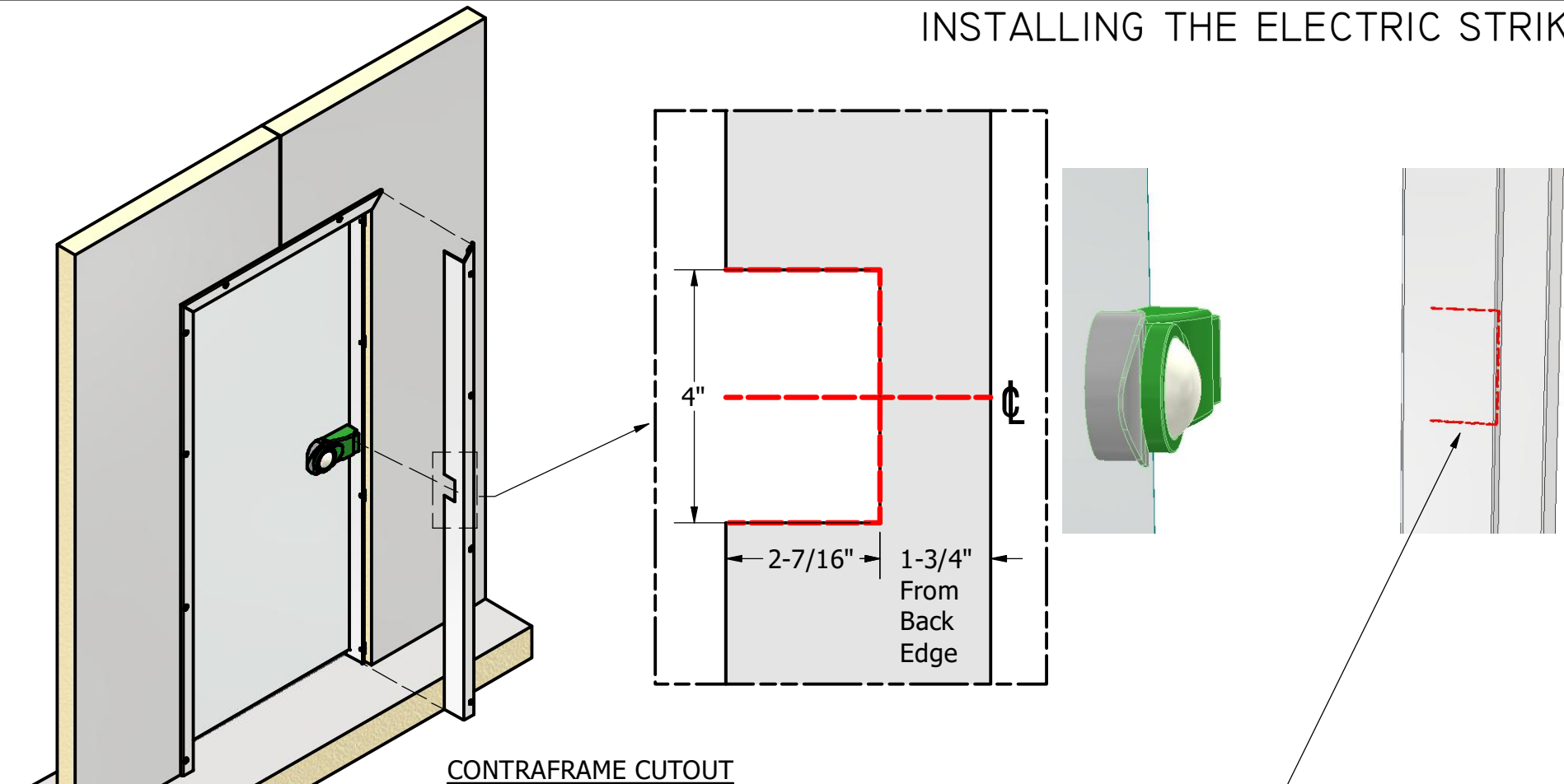
Hold the strike in position with the door closed to determine the correct gap width.

The gap is typically around $\frac{1}{4}$ " to $\frac{5}{16}$ " from the wall frame to the face of the door.



G R O W C O N T R O L L E D , L L C
100 APPLEWOOD DRIVE SPARTA MICHIGAN - SODUS NEW YORK - UNION GAP WASHINGTON - PADDOCK WOOD UK
T 616.256.0420 - F 616.887.1128 - INFO@GROWCONTROLLED.COM - GROWCONTROLLED.COM

INSTALLING THE ELECTRIC STRIKE



CONTRAFRAME CUTOUT

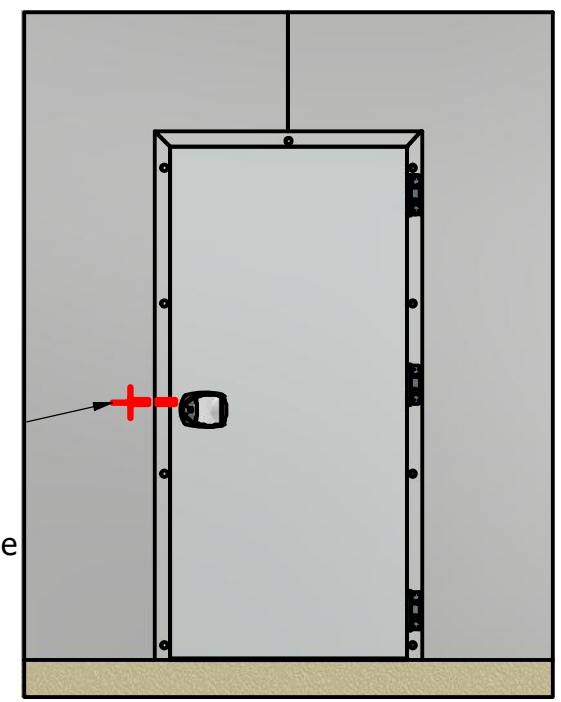
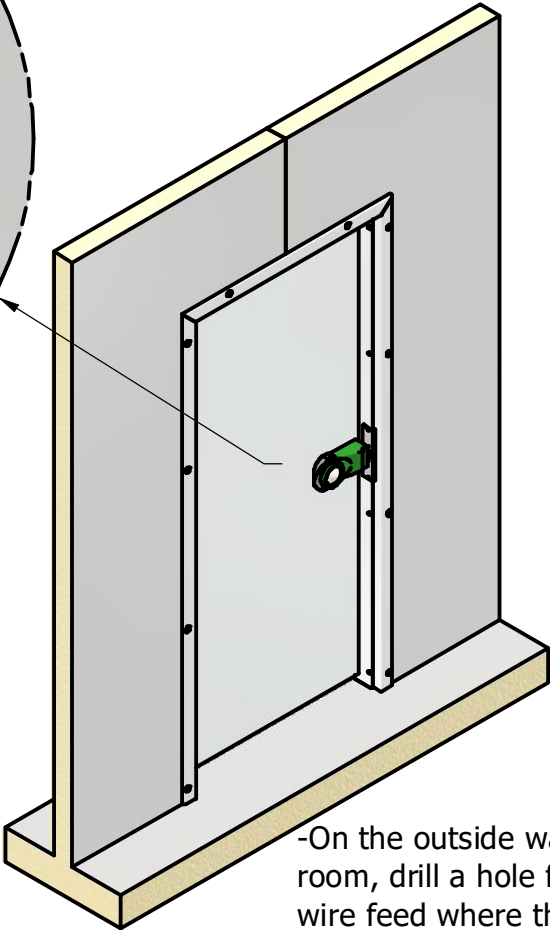
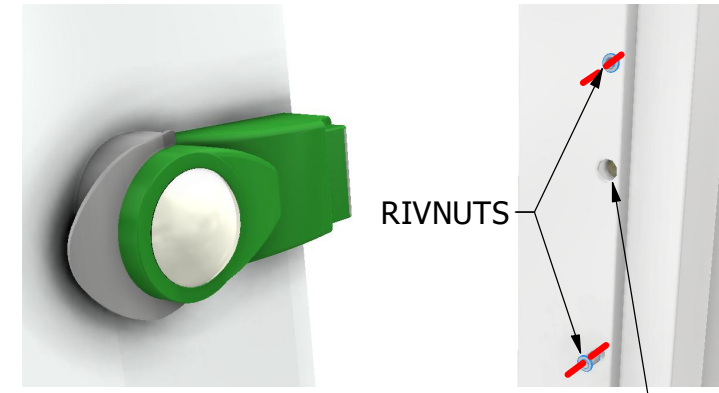
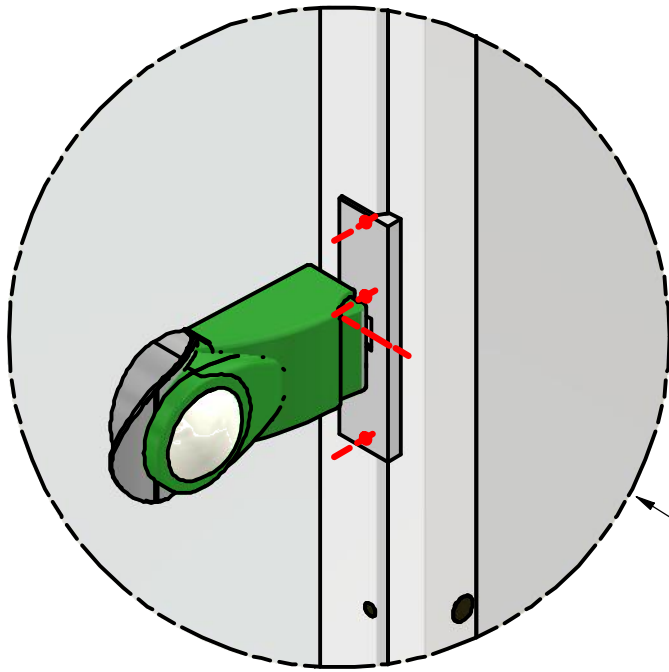
To accommodate for the wiring of the Electric Strike, material will need to be removed from the contraframe.

- This can be done using a disc cutter.-
- Locate the center line of the strike on the contraframe
- Remove the contraframe from the assembly
- Make a $2\frac{7}{16}$ "x4" cutout with the disc cutter
- Be sure that there are no burrs before re-installing the contraframe

This cutout prevents the strike wiring from being cut & will be hidden when the frame and contraframe are brought together.



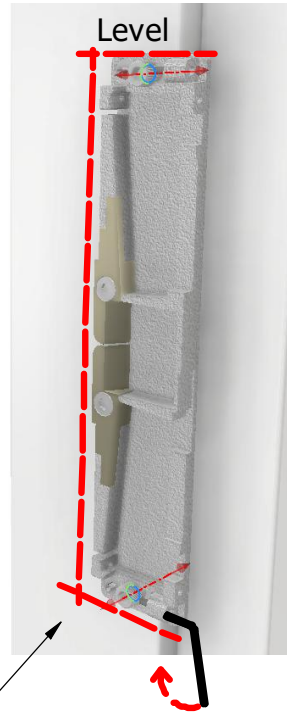
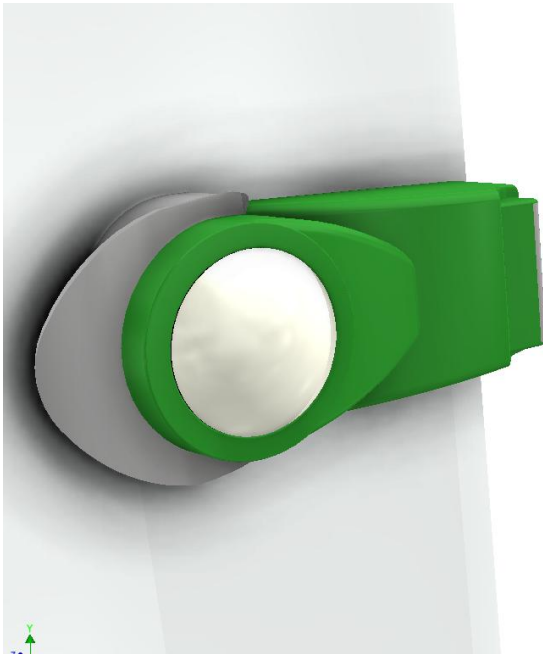
INSTALLING THE ELECTRIC STRIKE



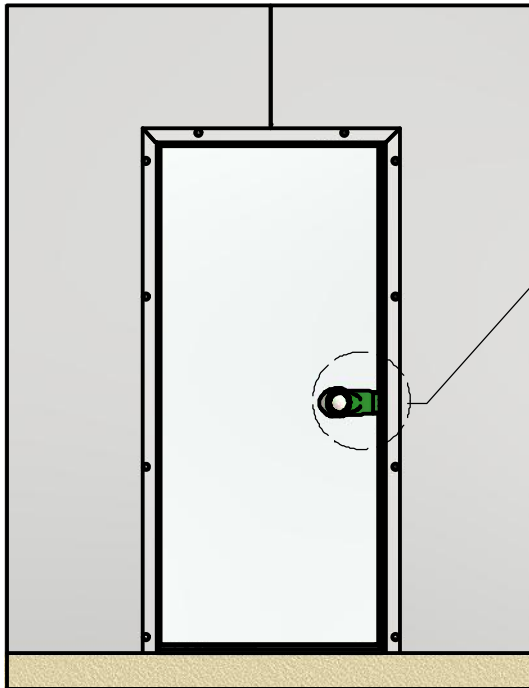
- Place the Strikeplate template on the frame with the door closed
- Center the template with the latch
- Punch the mounting screw locations & the wire feed hole
- Drill* the mounting screw holes for M6 Rivnut/ $\frac{1}{4}$ -20 Rivnut (9mm or $\frac{11}{32}$ ")
- Drill* wire feed hole through wall frame
- *USE THREAD CUTTING FLUID*

- On the outside wall of the room, drill a hole for the wire feed where the controller will go. Line up the hole with the hole in the door frame
- Create a channel connecting the hole in the wall to the hole in the door frame for the wiring.

INSTALLING THE ELECTRIC STRIKE



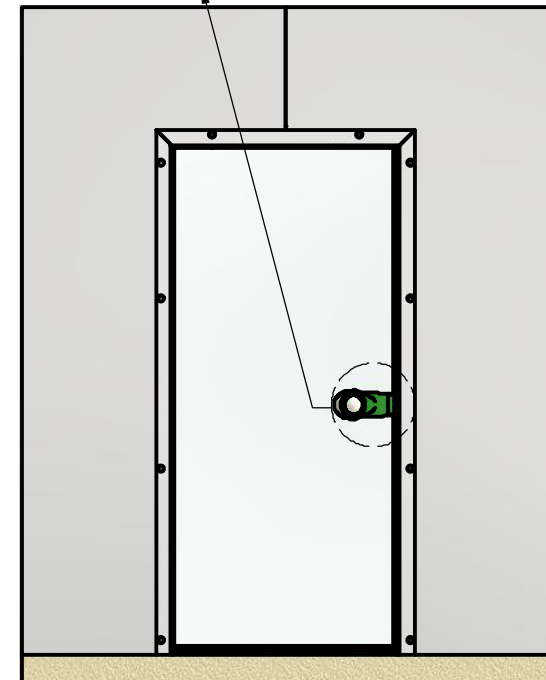
-Install the cover plate and secure in place using the
(4) 6-32 x $\frac{1}{4}$ "
Cover Screws



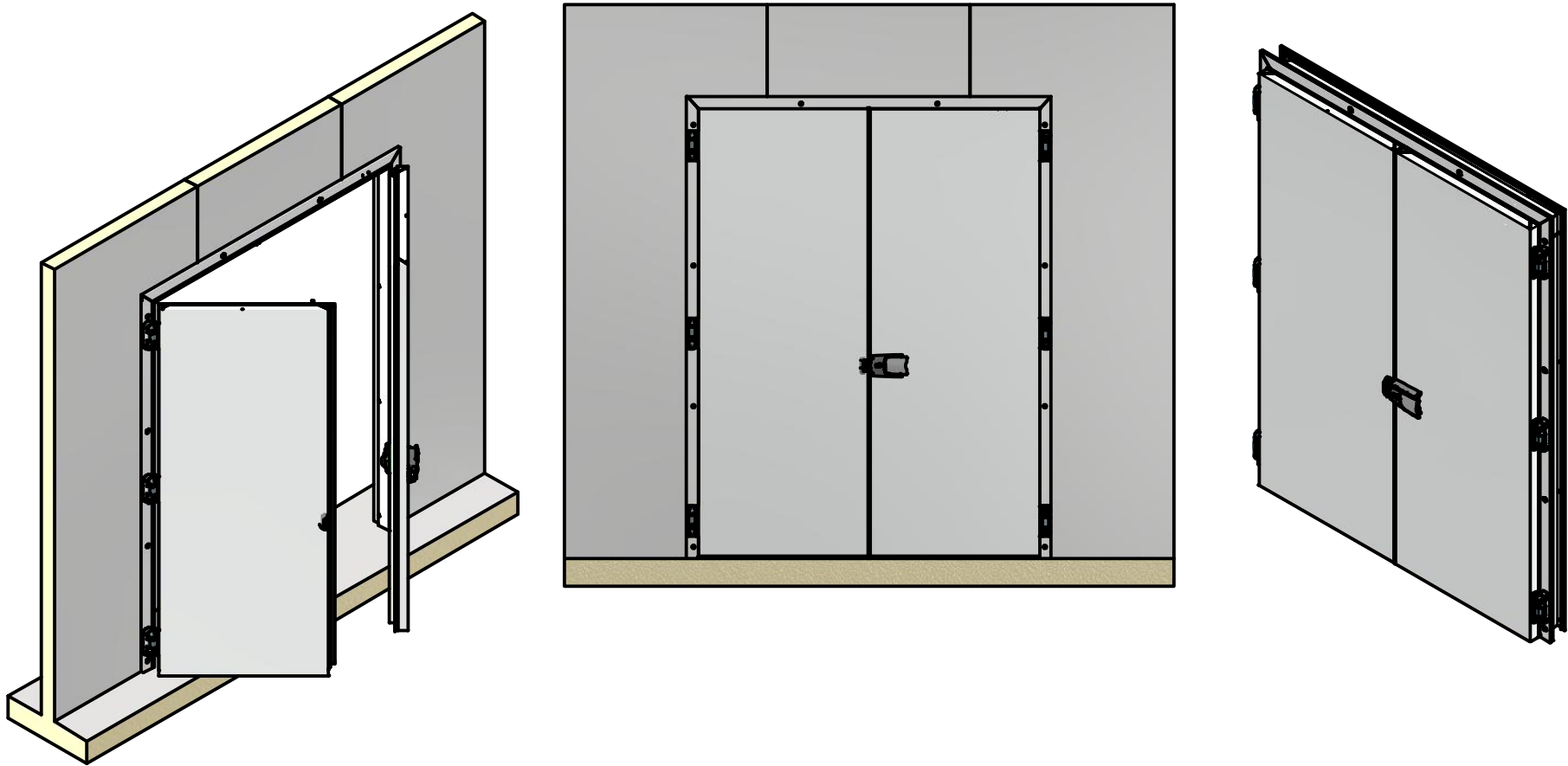
-Feed the wiring through the channel connecting to the control

-Fasten the strike plate to the wall frame with the
(2) $\frac{1}{4}$ -20 x 1.00" screws
provided

-Tighten the set screws, ensuring that the strike plate is level

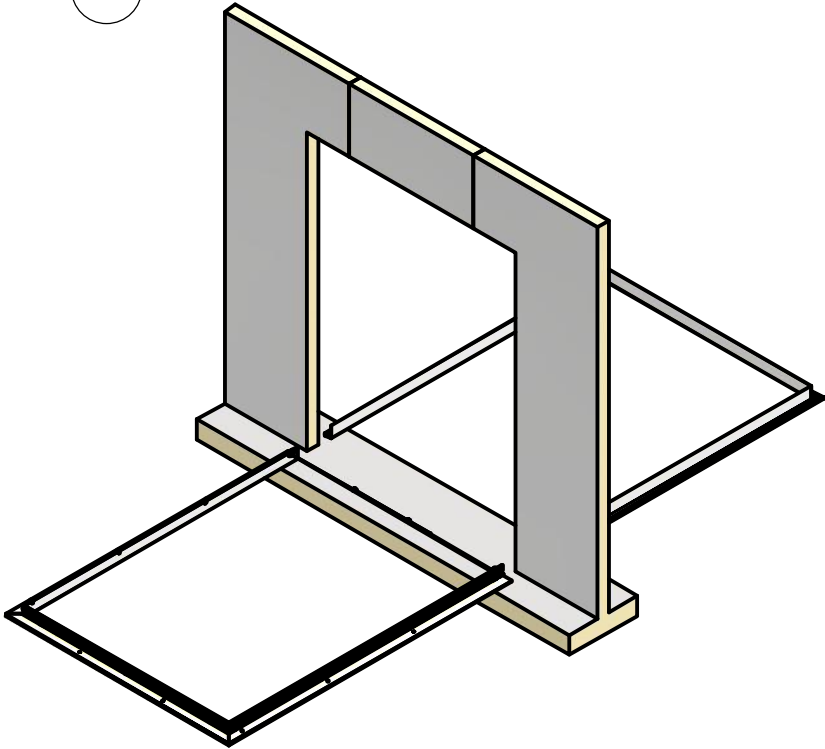
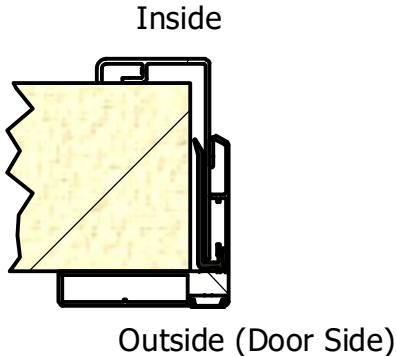
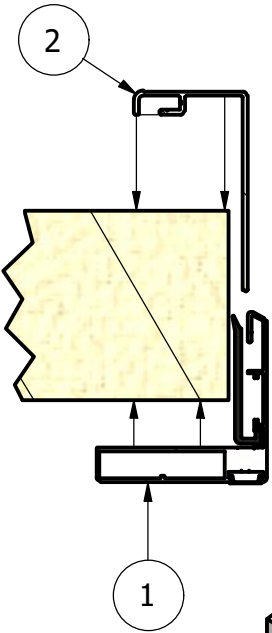


DOUBLE PASSTIGHT DOOR INSTALLATION MANUAL

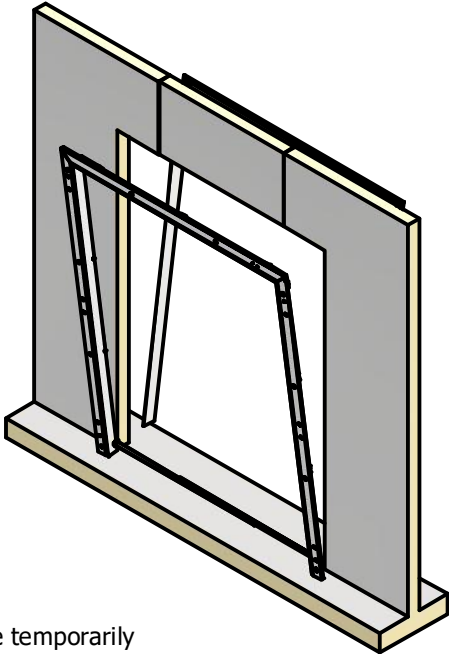


G R O W C O N T R O L L E D , L L C
100 APPLEWOOD DRIVE SPARTA MICHIGAN - SODUS NEW YORK - UNION GAP WASHINGTON - PADDOCK WOOD UK
T 616.256.0420 - F 616.887.1128 - INFO@GROWCONTROLLED.COM - GROWCONTROLLED.COM

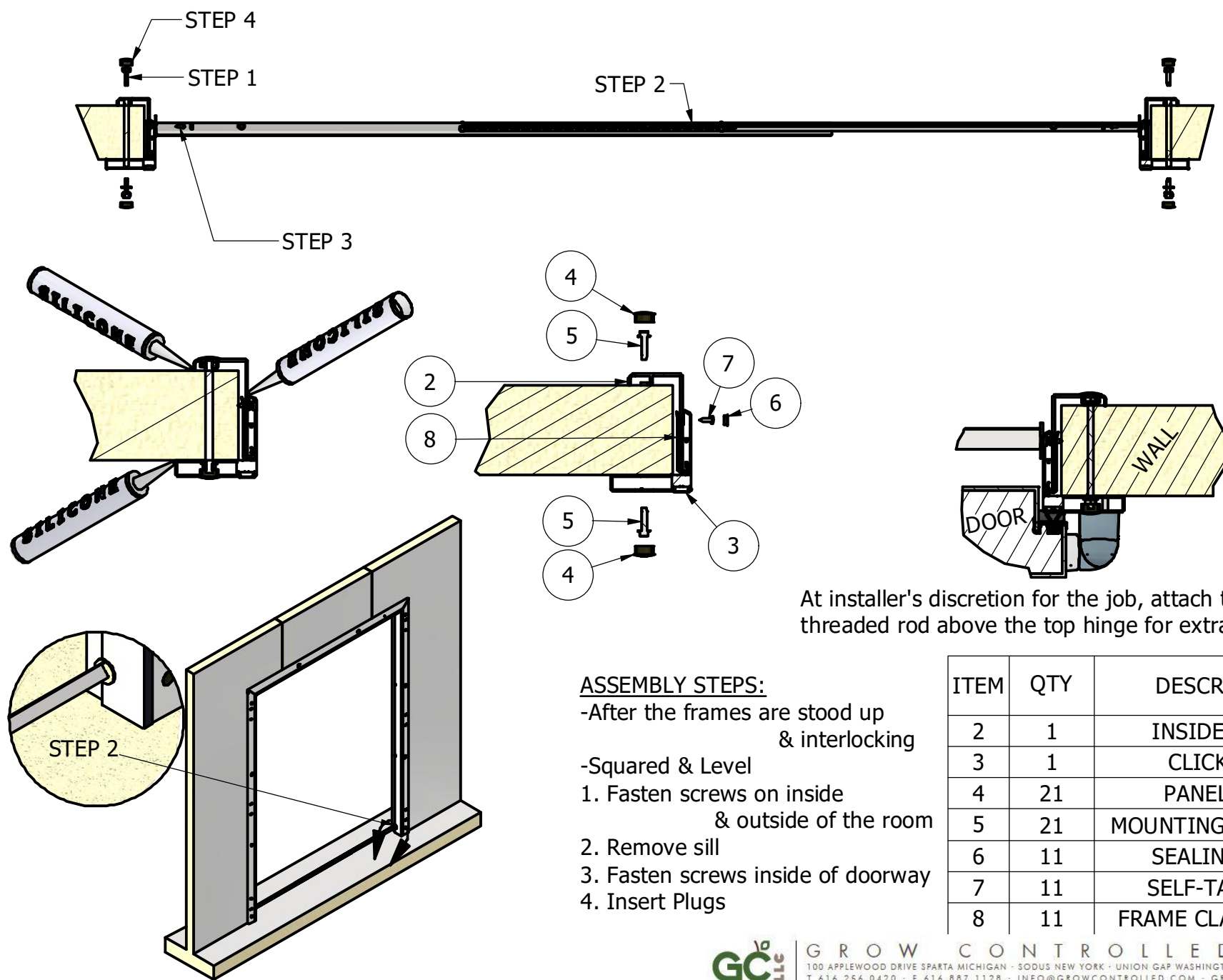
INSTALLING THE DOOR FRAME



Secure frame temporarily with clamps



INSTALLING THE DOOR FRAME



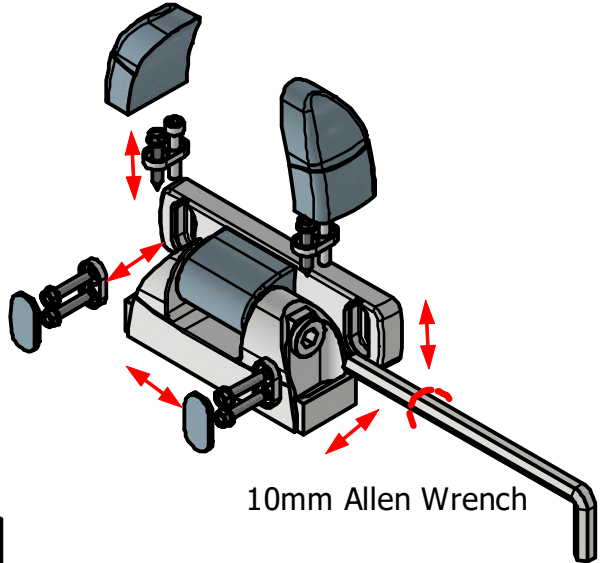
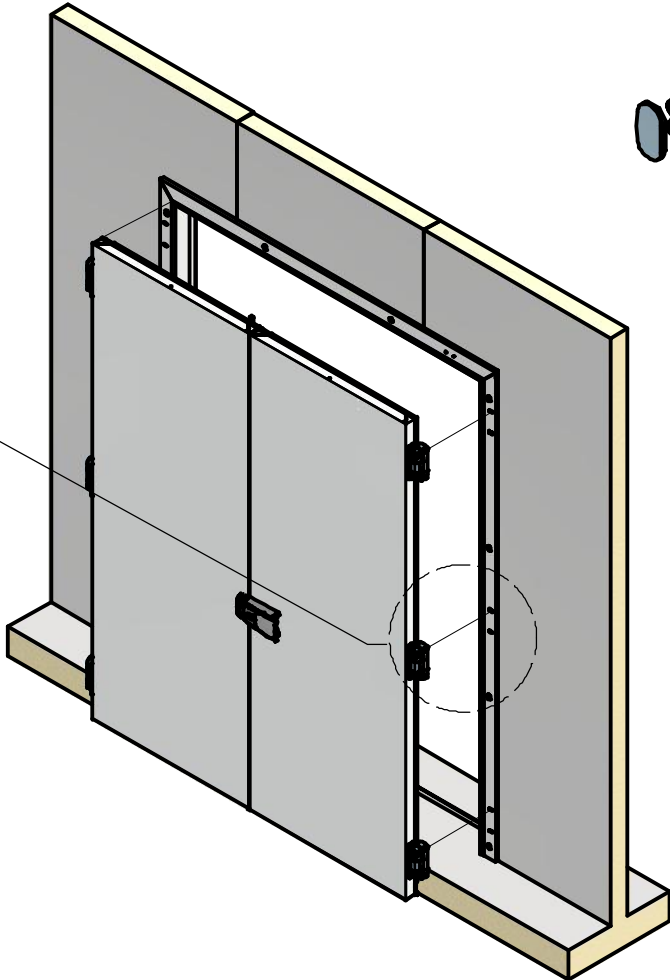
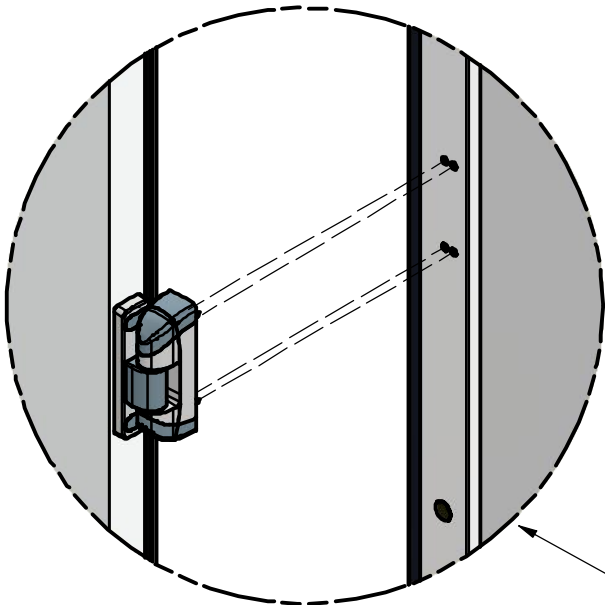
At installer's discretion for the job, attach the supplied threaded rod above the top hinge for extra strength

ASSEMBLY STEPS:

- After the frames are stood up & interlocking
- Squared & Level
- 1. Fasten screws on inside & outside of the room
- 2. Remove sill
- 3. Fasten screws inside of doorway
- 4. Insert Plugs

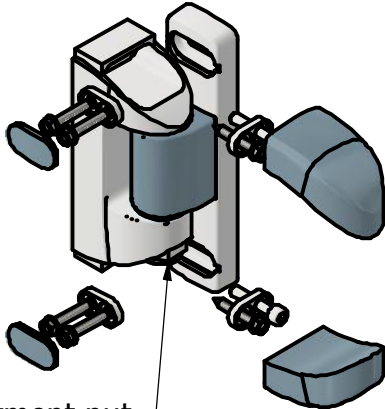
ITEM	QTY	DESCRIPTION
2	1	INSIDE FRAME
3	1	CLICK SEAL
4	21	PANEL PLUG
5	21	MOUNTING SCREW M6
6	11	SEALING PLUG
7	11	SELF-TAP TORX
8	11	FRAME CLAMP-BLACK

MOUNTING THE DOOR TO THE FRAME



10mm Allen Wrench

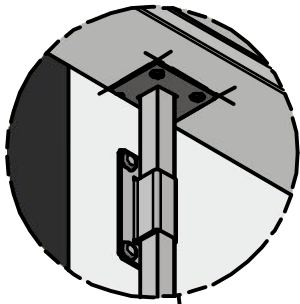
Turn clockwise
Fine adjustment height



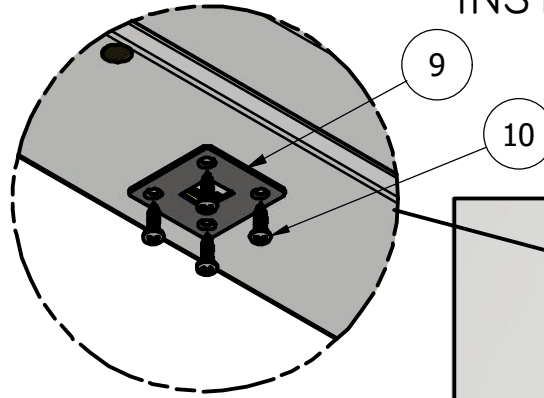
Adjustment nut
facing down when
installing

-When mounting the door to the wallframe,
the height can be adjusted by turning the adjustment nut
on the bottom of the door hinges.

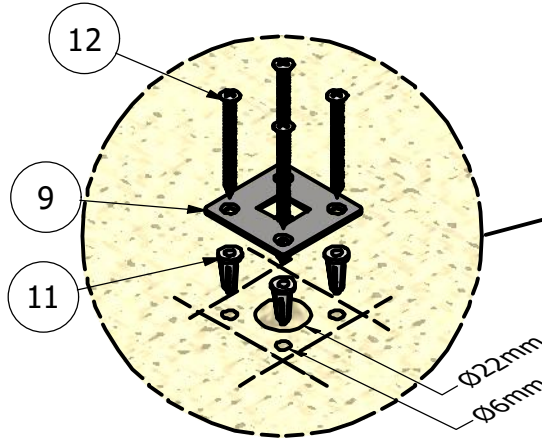
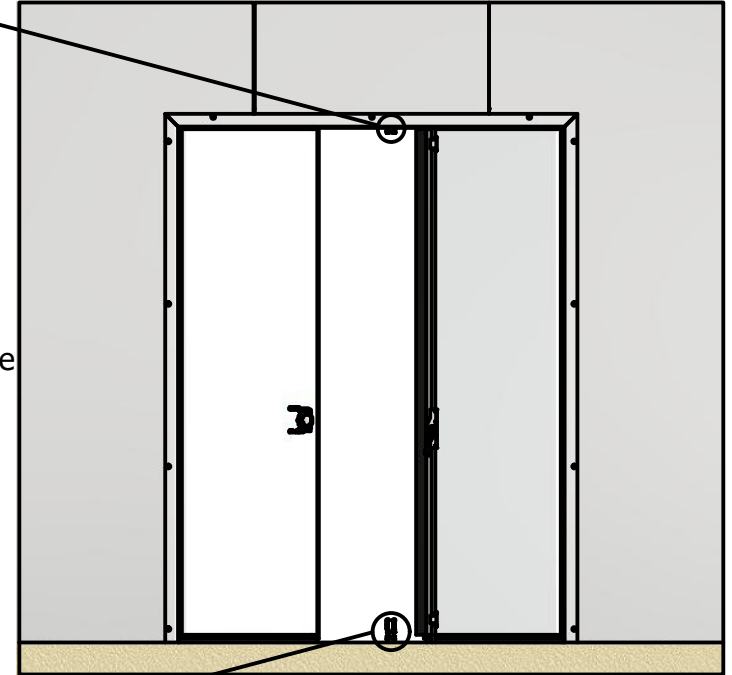
INSTALLING THE LOCKING ROD



-With the door closed, position & mark the location of the brackets



-With the door open, position the the bracket over the hole in the wall frame
 -Fasten the bracket to the wall frame using the 16mm length sheet metal screws provided



-Insert the screw anchors into the Ø6mm
 -Position the bracket over the holes
 -Fasten the bracket to the floor with the 50mm length screws provided.

-Drill holes in the floor for the bracket.

(4x) Ø6mm Holes (Ø $\frac{1}{4}$ "")

(1x) Ø22mm Hole (Ø $\frac{7}{8}$ "")

-With the door closed, position & mark the location of the brackets

ITEM	QTY	DESCRIPTION
9	2	LOCKING ROD BRACKET
10	4	M4.2 X 16mm SCREW
11	4	M6 X 30 SCREW ANCHOR
12	4	M4.2 X 50mm

