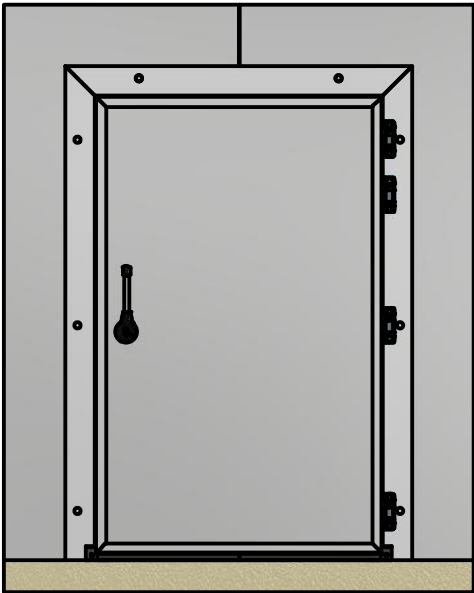


GC HINGED GROWTIGHT

INSTALLATION MANUAL

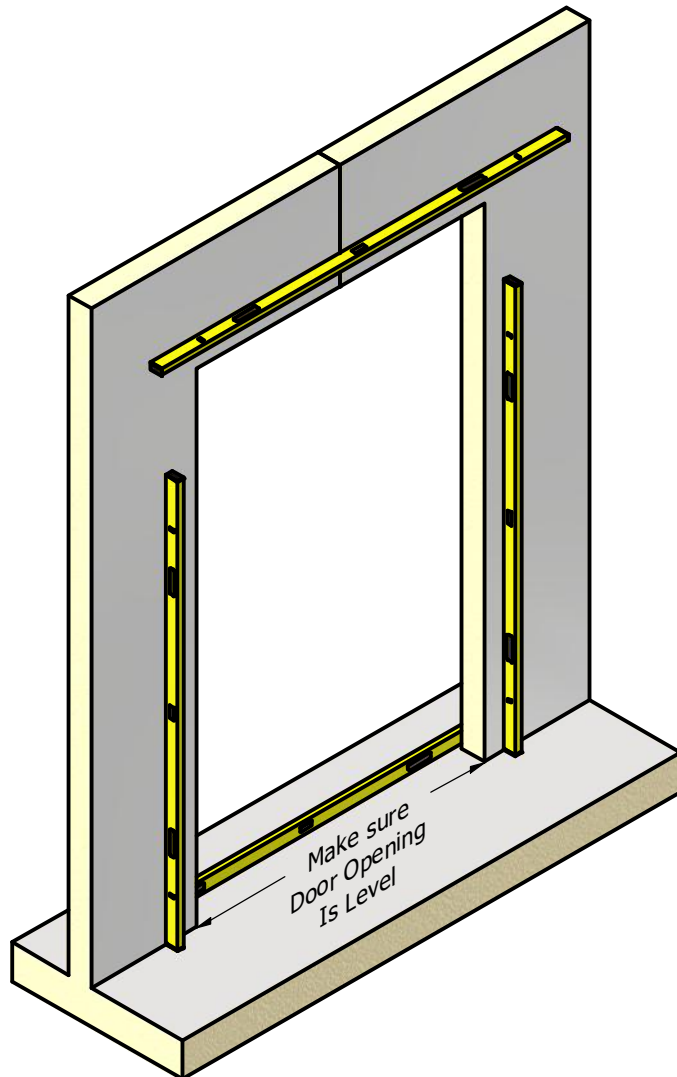


REV. 2.3-22



G R O W C O N T R O L L E D , L L C
100 APPLEWOOD DRIVE SPARTA MICHIGAN - SODUS NEW YORK - UNION GAP WASHINGTON - PADDOCK WOOD UK
T 616.256.0420 - F 616.887.1128 - INFO@GROWCONTROLLED.COM - GROWCONTROLLED.COM

└ VERIFY LEVEL WALL



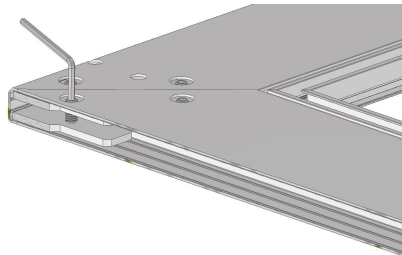
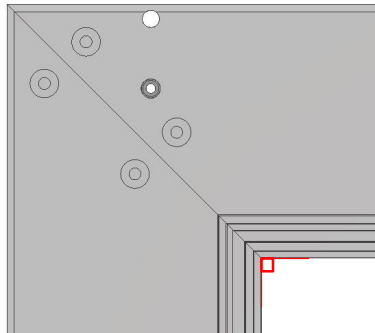
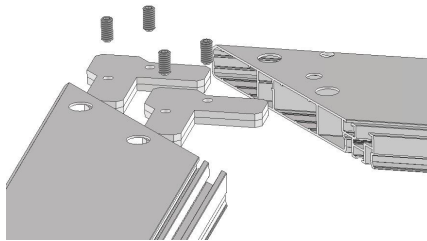
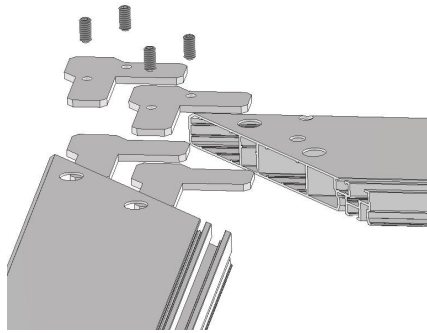
Areas to Check:

- Wall is Level to the floor
- Levelness across the wall
(Panel to Panel)
- Level Floor in Door Opening

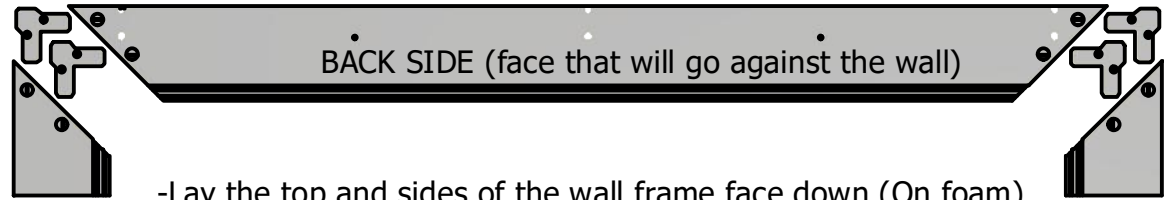
If the wall is not level:

- Shims may need to be added
behind the wall frame
- Floor Grinder

ASSEMBLING THE WALL FRAME



Wall Frame Top

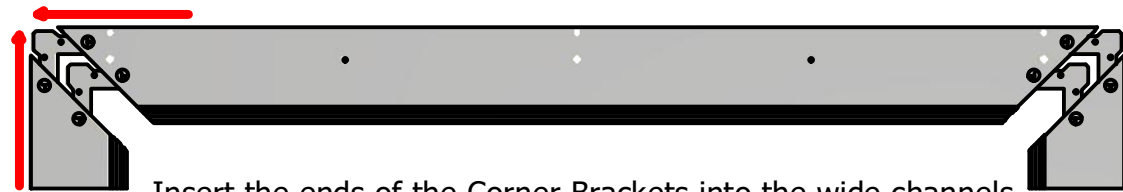


**Right
Side
Wall
Frame**

**Left
Side
Wall
Frame**

-Lay the top and sides of the wall frame face down (On foam)

-Place the Corner Brackets together, blank plate on the bottom



-Insert the ends of the Corner Brackets into the wide channels of the wall frames

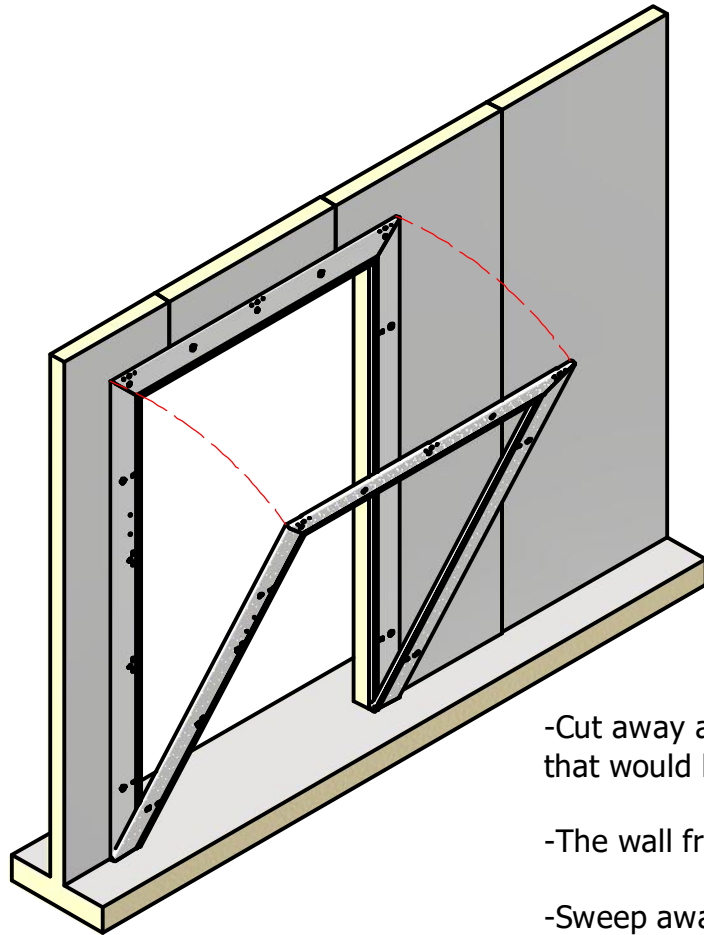
-Align the wall frame top and side with corner brackets in place



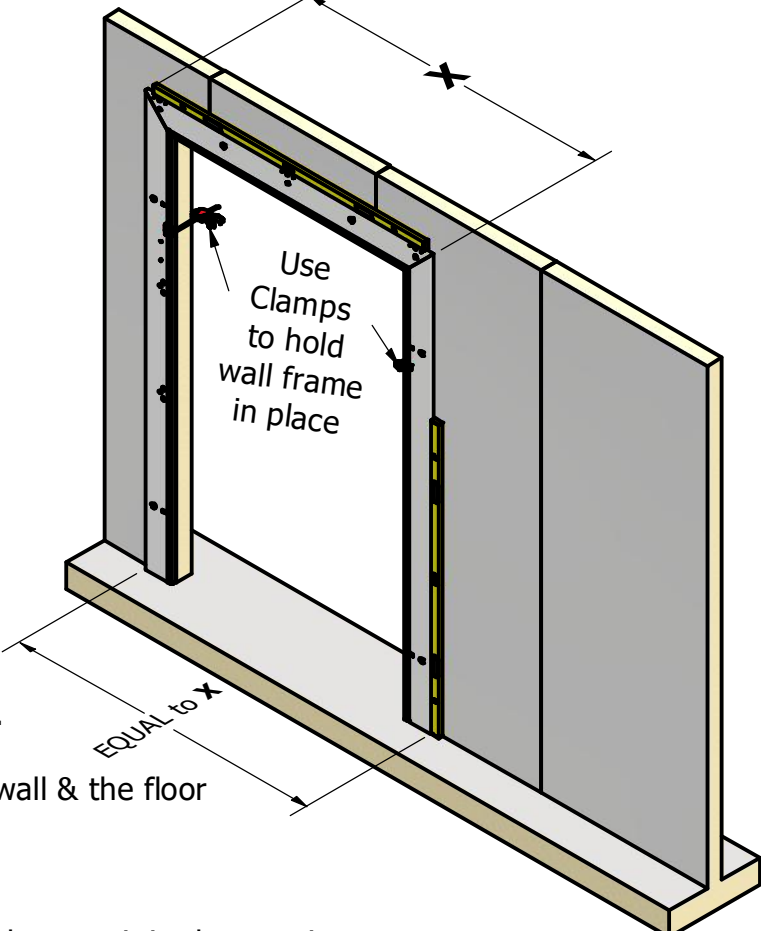
-Center the threaded holes with the holes in the wall frame

-Use an allen wrench to thread in and adjust the set screws & square the wall frame.

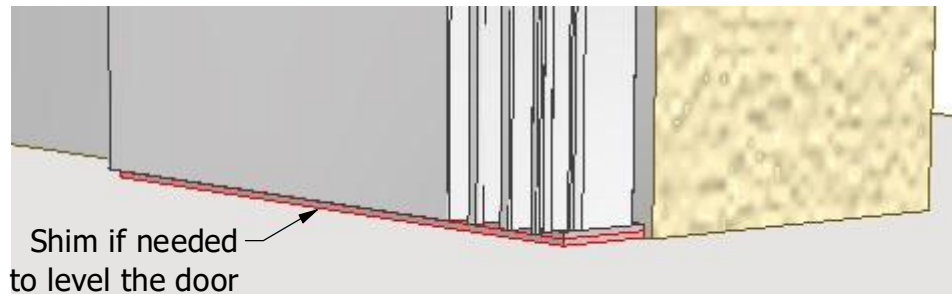
-Be sure the grooves of the wall frames are lined up



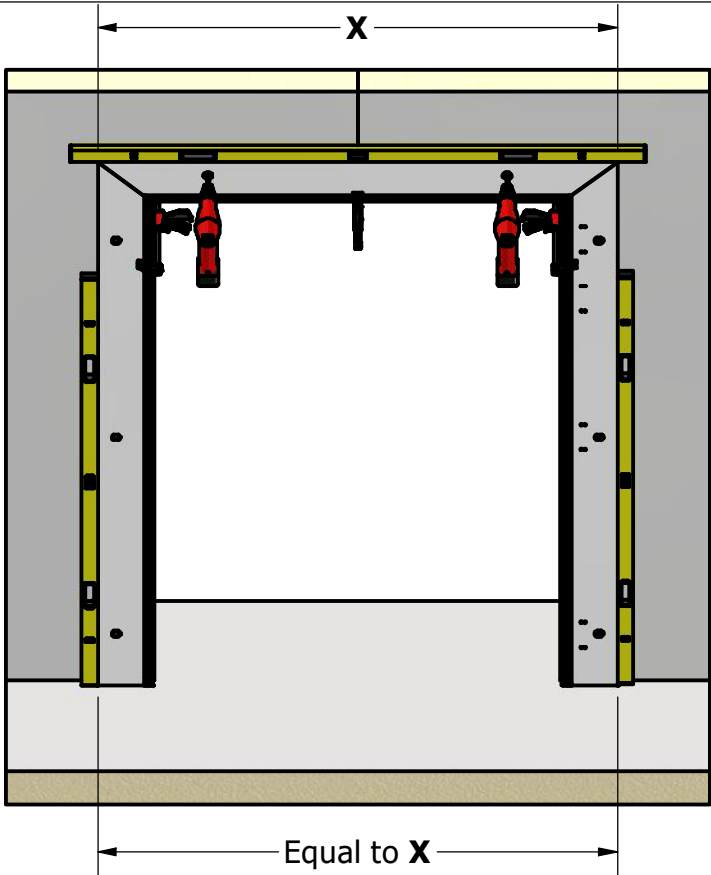
MOUNTING THE WALL FRAME



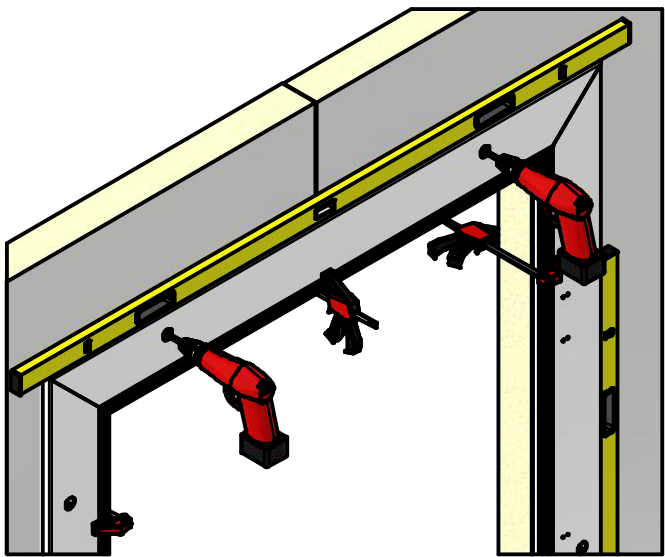
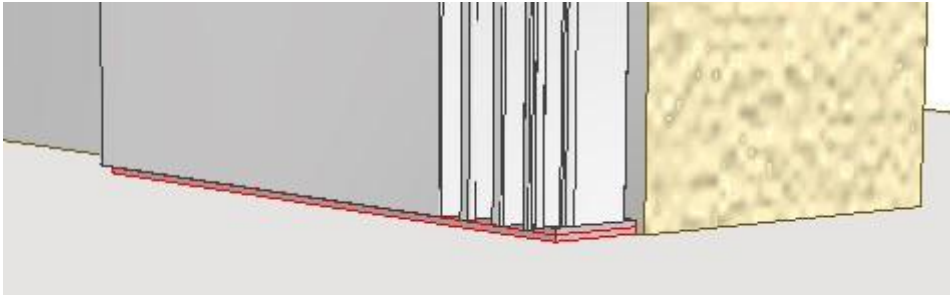
- Cut away any baseboard material or caulk that would be directly behind the wall frame.
- The wall frame should be flush against the wall & the floor
- Sweep away any debris from the doorway
- Stand the wall frame up against the wall and center it in the opening
- Hold the wall frame in place with clamps
- Use a level, if the door frame is not level, shims may be used



MOUNTING THE WALL FRAME

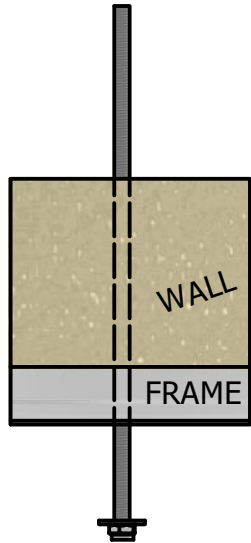
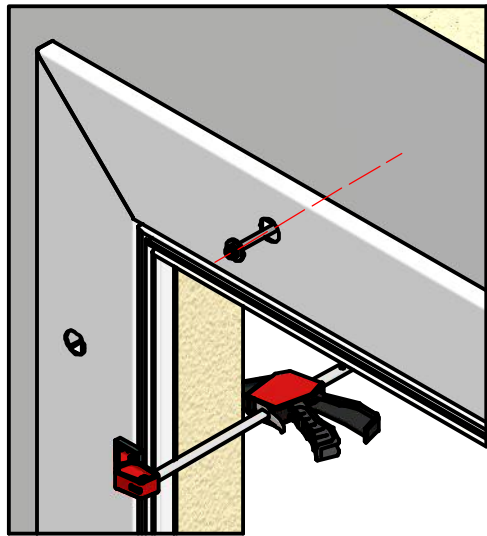


- Make note of the measurement from corner to corner of the top of the wall frame
- Check Level
- The measurement at the floor of the wall frame should be the same as the top
- Check level, shim the bottom, if needed

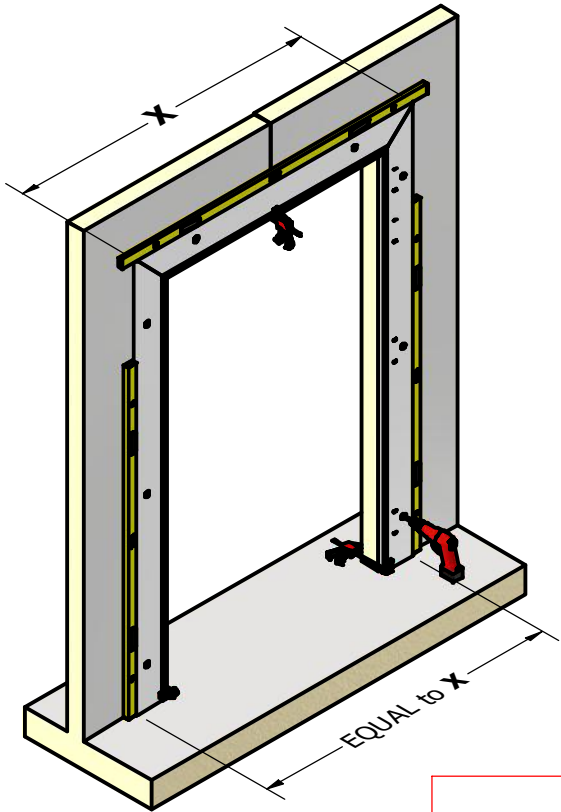


-After the frame is level, **Drill** the (2) mounting holes of the Wall Frame-Top through the wall with an extended length drill bit ($\text{Ø} \frac{5}{16}$ ")

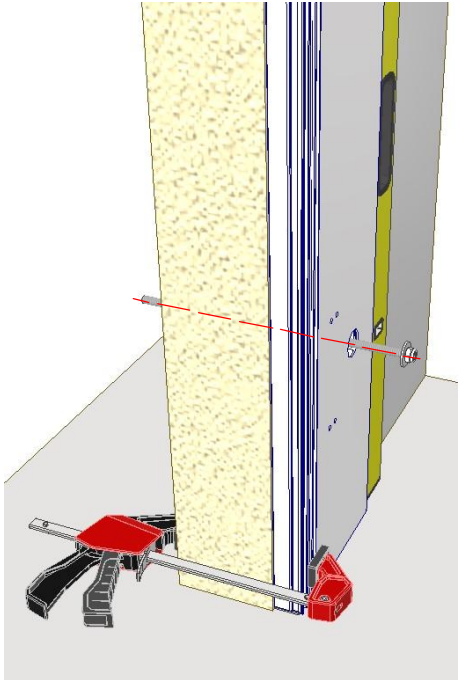
-Insert Threaded Rod with Washer & Hex nut on one end, through both holes



MOUNTING THE WALL FRAME



-Use a $\varnothing 5/16"$ extended length drill bit to drill all the way through the lower hole

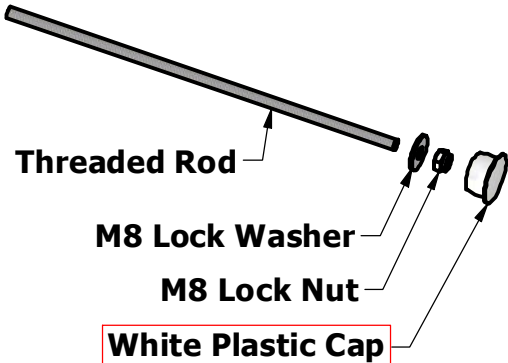


-After the hole is drilled, assemble the **M8 Lock Washer** & **M8 Lock Nut** to one end of the **Threaded Rod**

-Insert the sub-assembly through the lower hole

Note: Make sure the marked side of the washer is facing the frame

Set of Threaded Rods



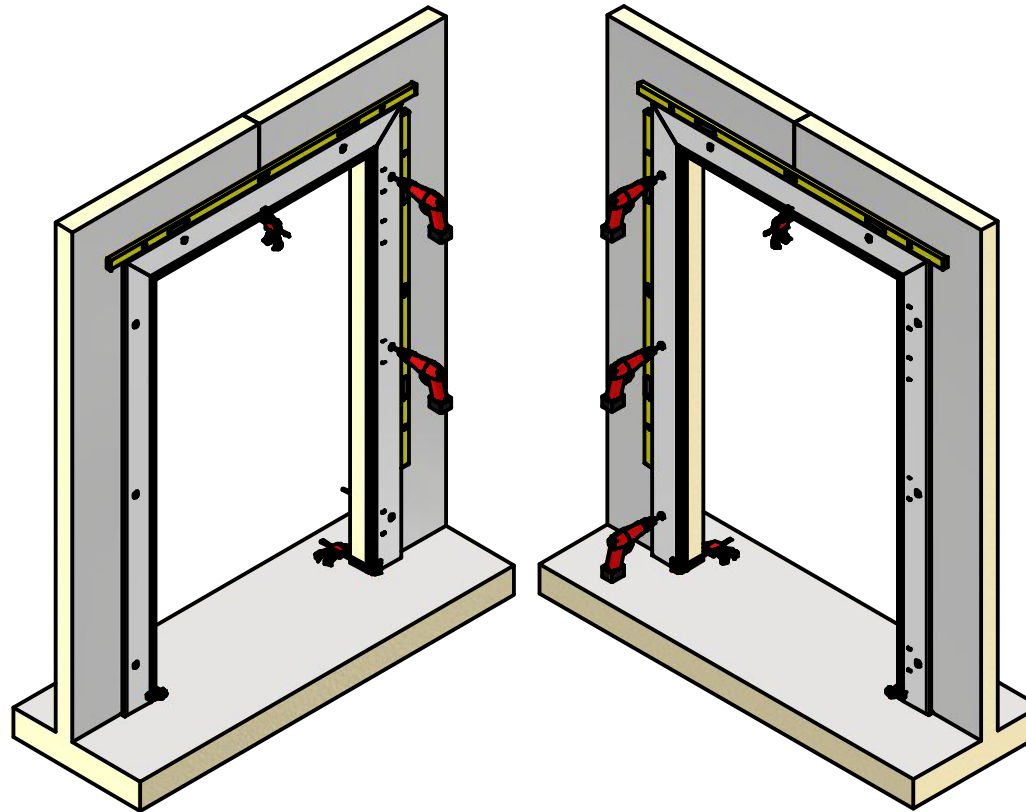
-Check the level at the top and the measurement from corner to corner

-Check level and measurement at the bottom

-Once equal & level, clamp the bottom of the wall frame

Do not fully assemble before reading ahead

MOUNTING THE WALL FRAME



-Check Level for the next (2) threaded rod holes

-Drill a hole through the wall

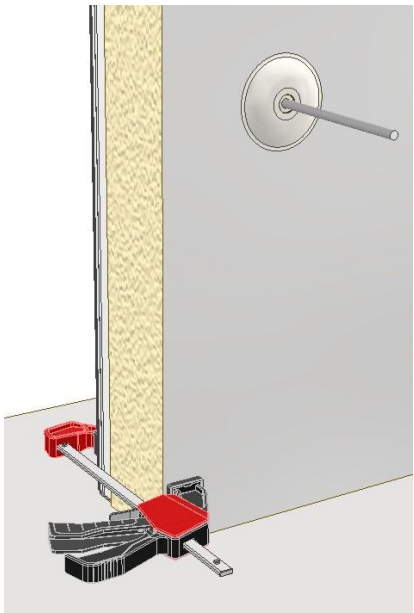
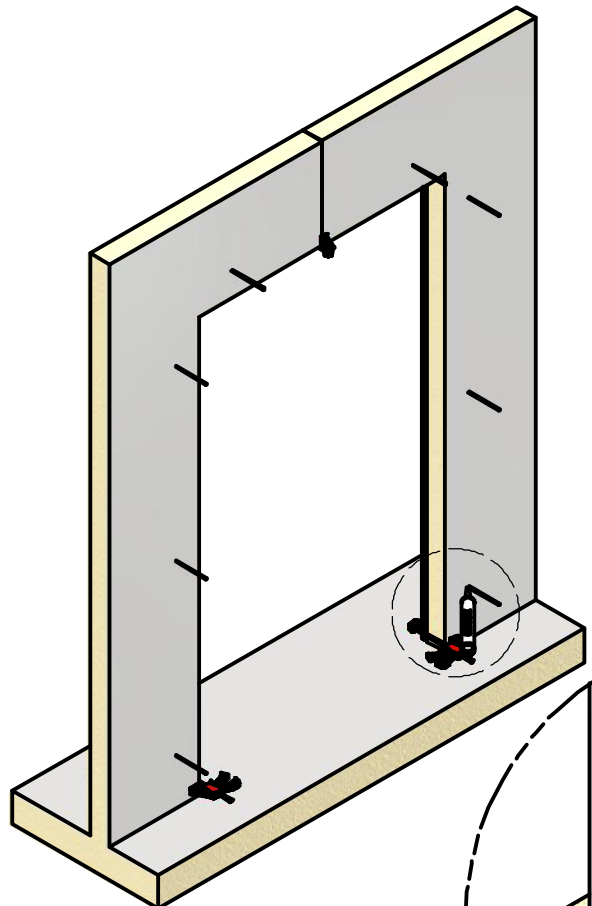
-Insert a threaded rod sub-assembly

-**AFTER** the (3) holes for right side are finished, **Repeat** the same process for the (3) holes on the left side

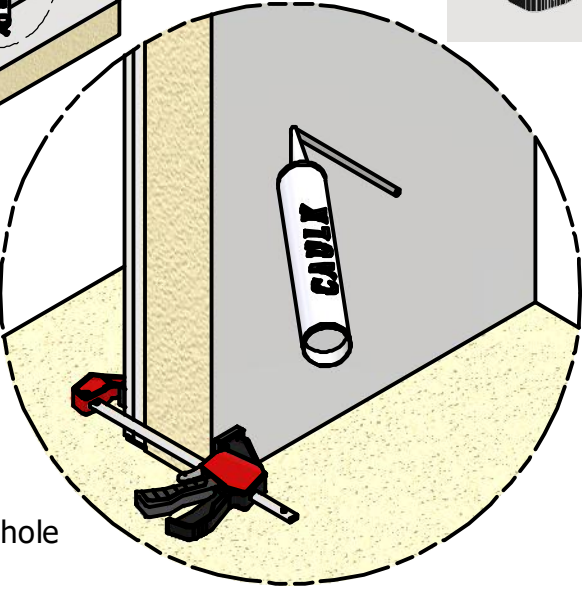
-Be sure the door is square



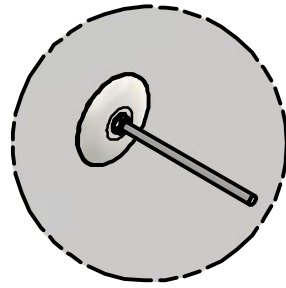
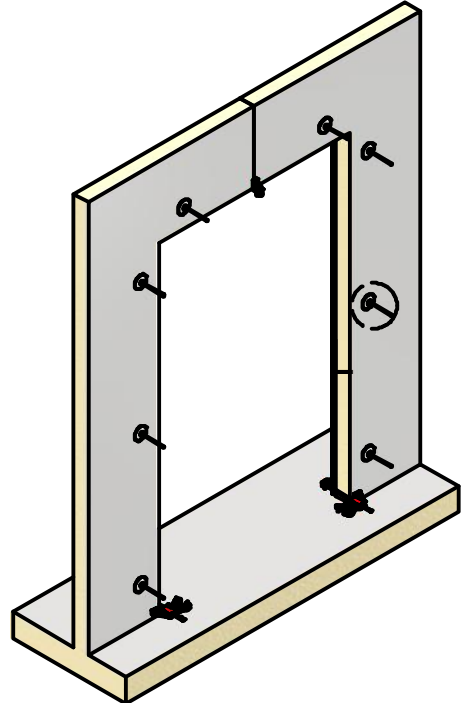
MOUNTING THE WALL FRAME



- Slide the **Finishing Disc** over the threaded rod
- Slide the **Plain Washer** & screw on the **Hex Nut**
- Snug the hex nut but do not tighten yet, to allow for final frame adjustment
- Repeat for all (8) threaded rods



- On the inside of the room, brush away any dust/debris from drilling the holes
- Clean the area around the hole with alcohol
- Caulk the hole** around the rod white NP1 or 798



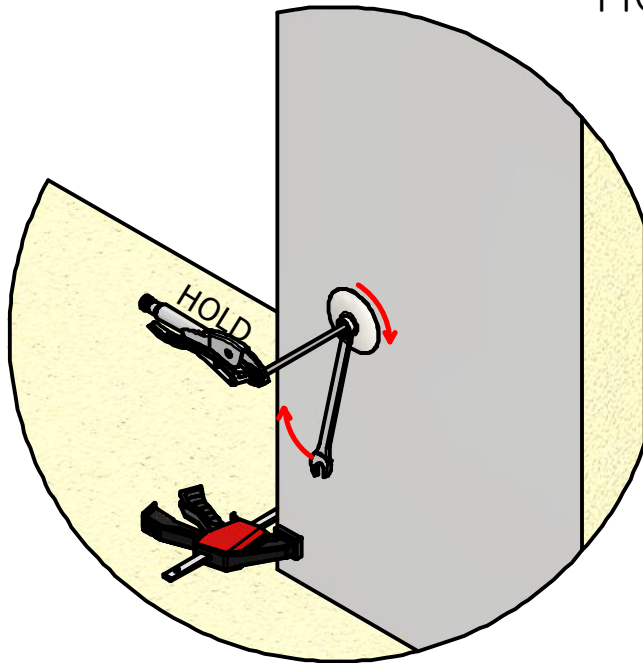
MOUNTING THE WALL FRAME



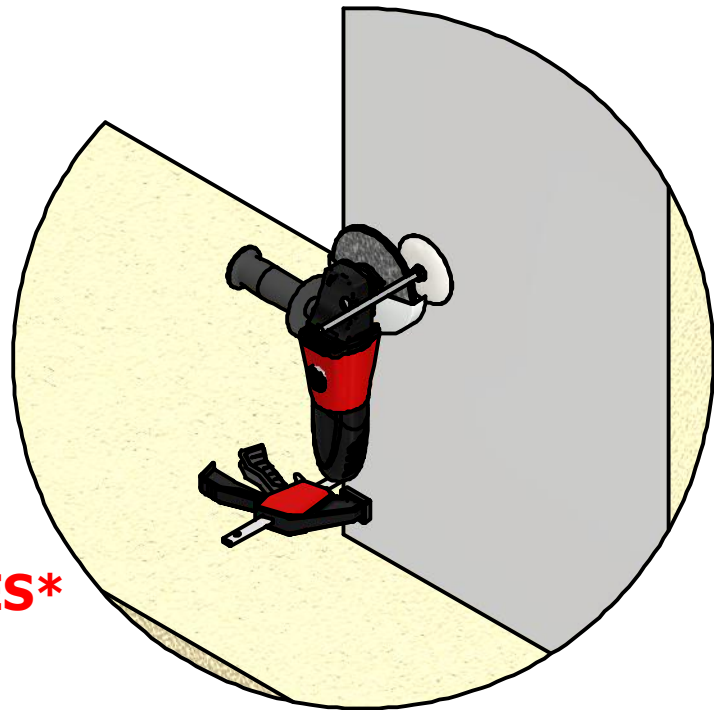
-Check the Level on the face of the wall frame for perpendicularity

-If the wall is not perpendicular to the floor, **shims** may be inserted **behind the wall frame**

-Adjust clamps as needed



-Once the wall frame is level, tighten the hex nuts to hold the wall frame in place (**13mm**)

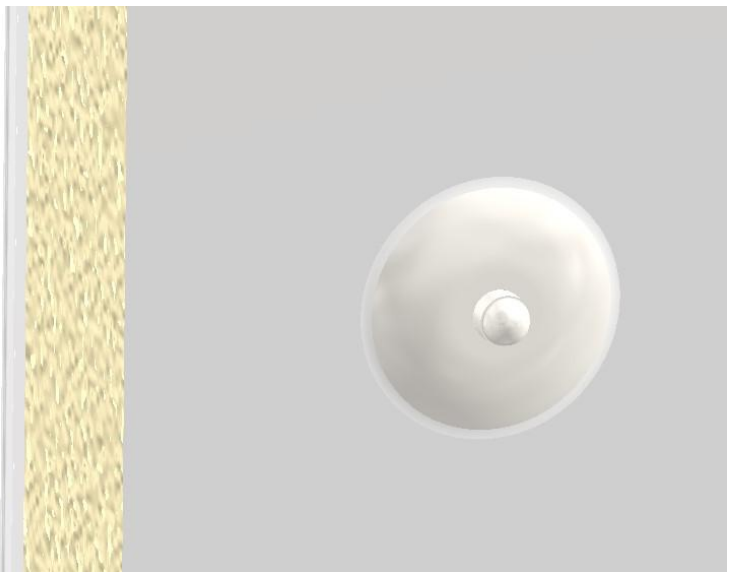


-Once the caulk is dry Use an angle grinder to grind off the threaded rod leaving it just above nut

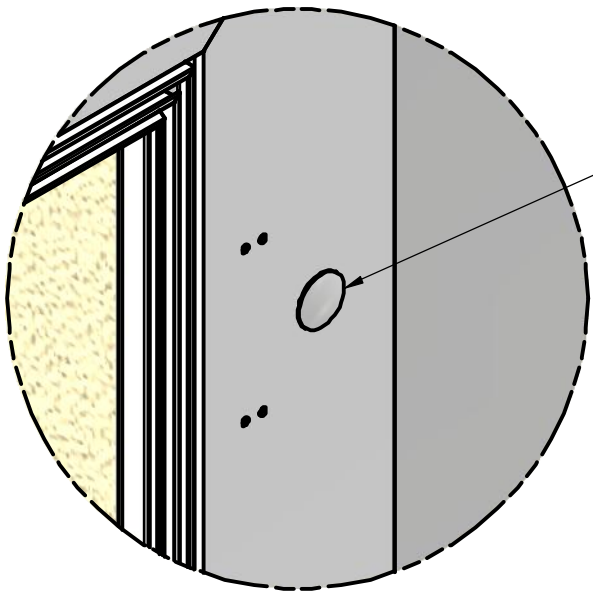
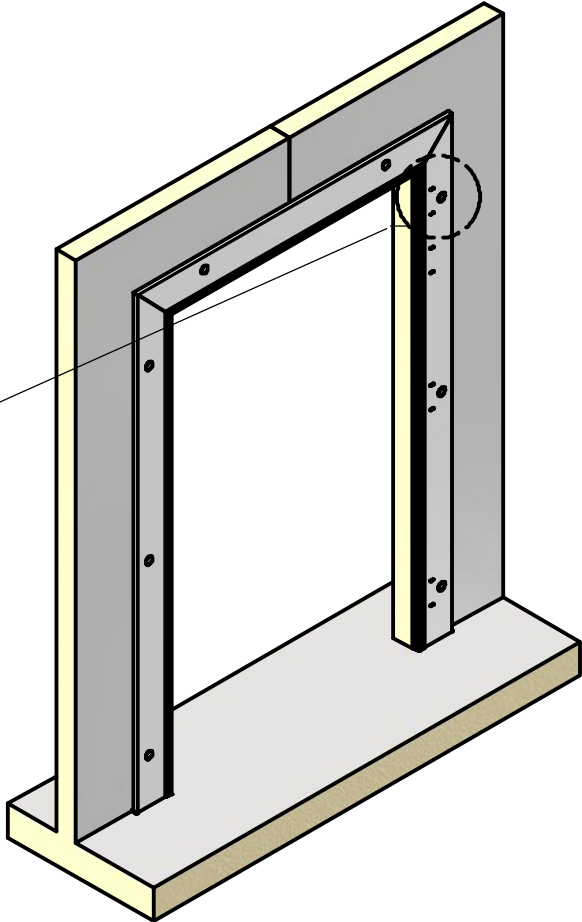
WEAR SAFETY GLASSES



MOUNTING THE WALL FRAME



-Apply "just a touch" of 798 or NP1 to the inside of the **Plastic Acorn Nuts**
-Position the acorn nuts on the cut ends of threaded rod
Tap into place with a mallet

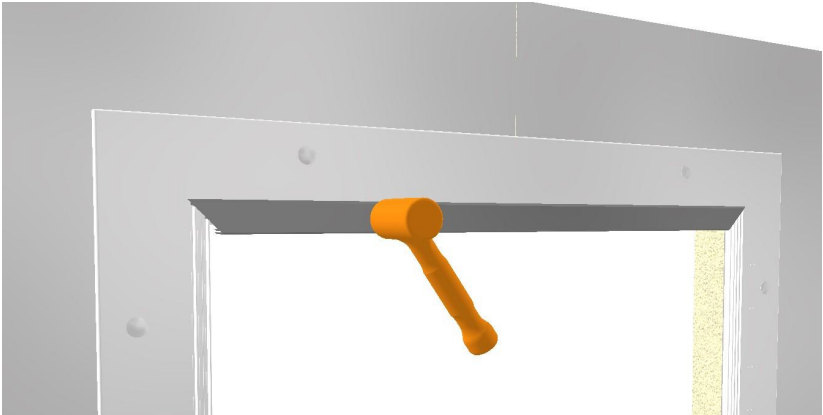


-Insert **Plastic white caps** into the (8) holes on the face of the wall frame

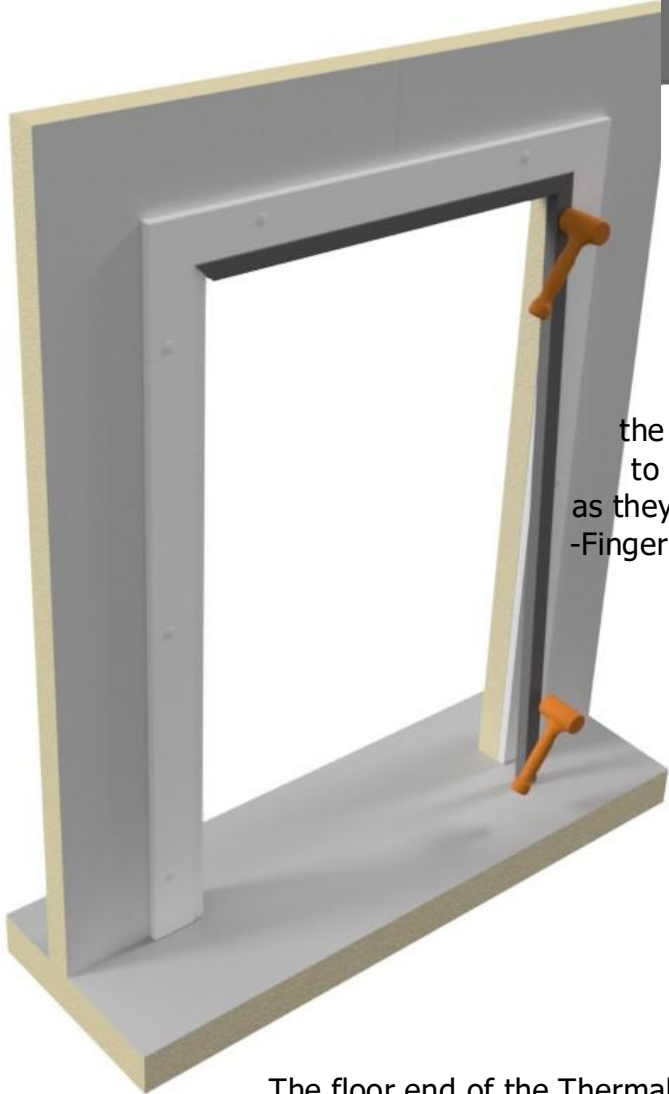
-Use a mallet to get the caps flush, peel away shaved plastic ring

BLACK THERMAL BREAK

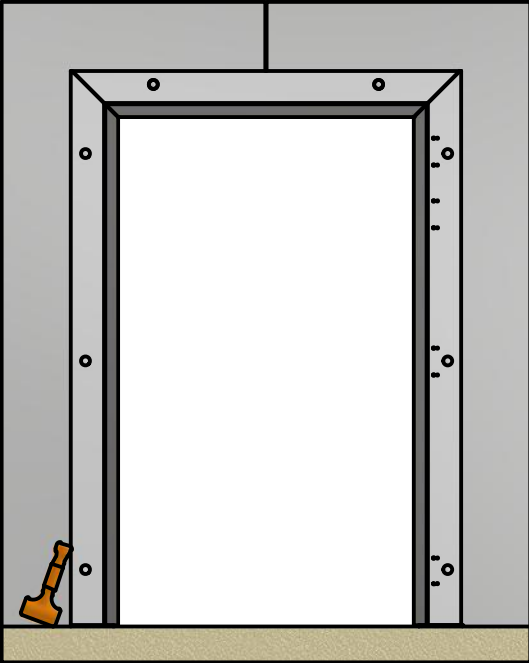
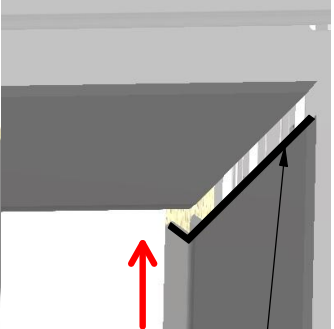
Use a dead blow mallet to insert the **Black Thermal Break** into position



- Do the **top** trim piece **first**, then the sides
- For the L/R sides: start with the top corner (caulked), then insert the lower end
- Tap into place from the bottom-up
This prevents the trim from twisting & warping as you tap it into place
- Doing this also keeps the corner in tact, as the thermal break may shift when struck



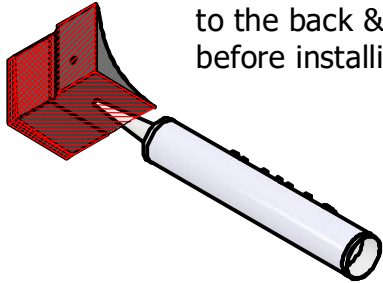
Use 302 Black on the face of the upright corners to seal the corner as they come together
-Finger Smooth to seal



The floor end of the Thermal Break will be sealed after the Inside Trim is installed, in later steps

FLOOR RADIUS

-Apply a layer of Black 302 caulk to the back & bottom of the Radius before installing in place

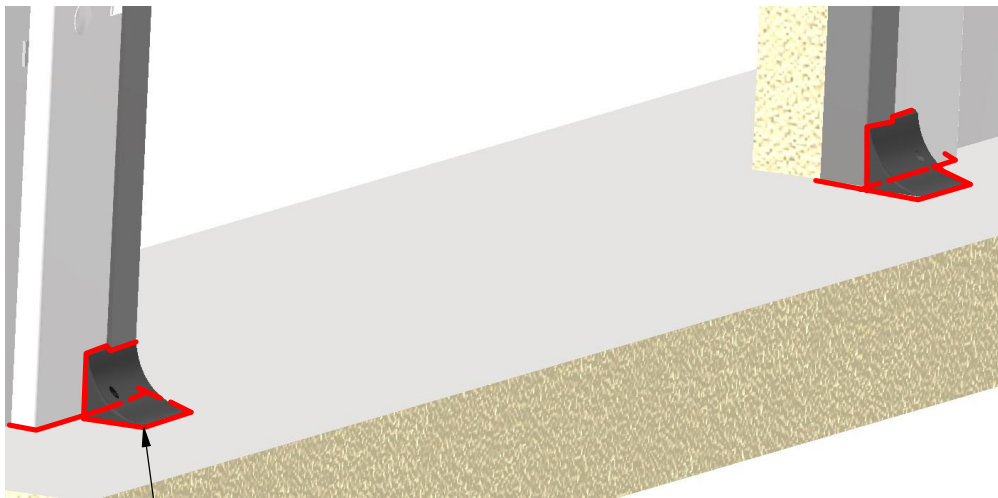


Important

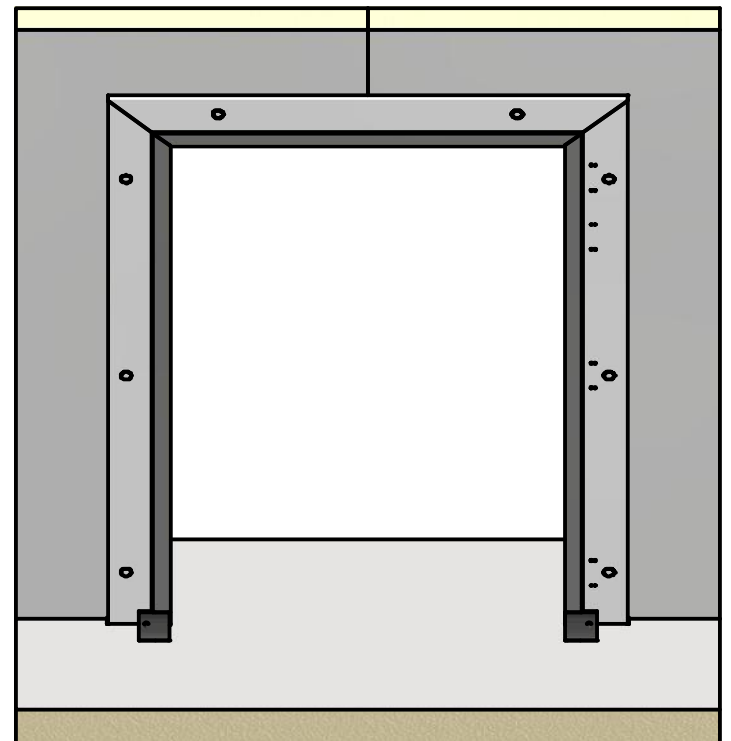
This area must be well sealed to prevent leaks at the floor



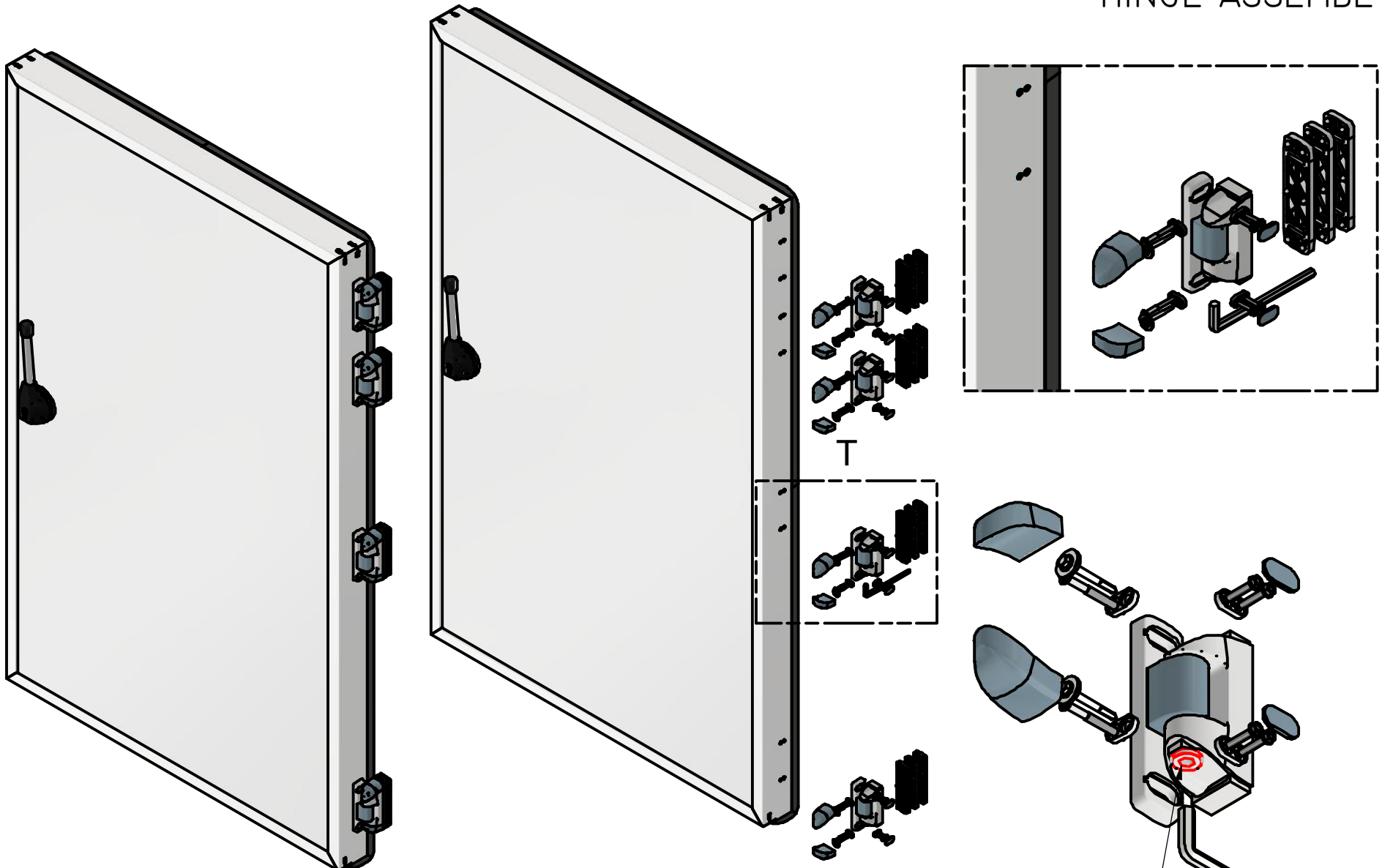
-Fasten the Radii with the screws provided



- Caulk the highlighted areas:
- All around the Thermal Break trim & wall frame at the floor
 - All Around the Radius Piece
 - Smooth with finger for a better seal (No air pockets)



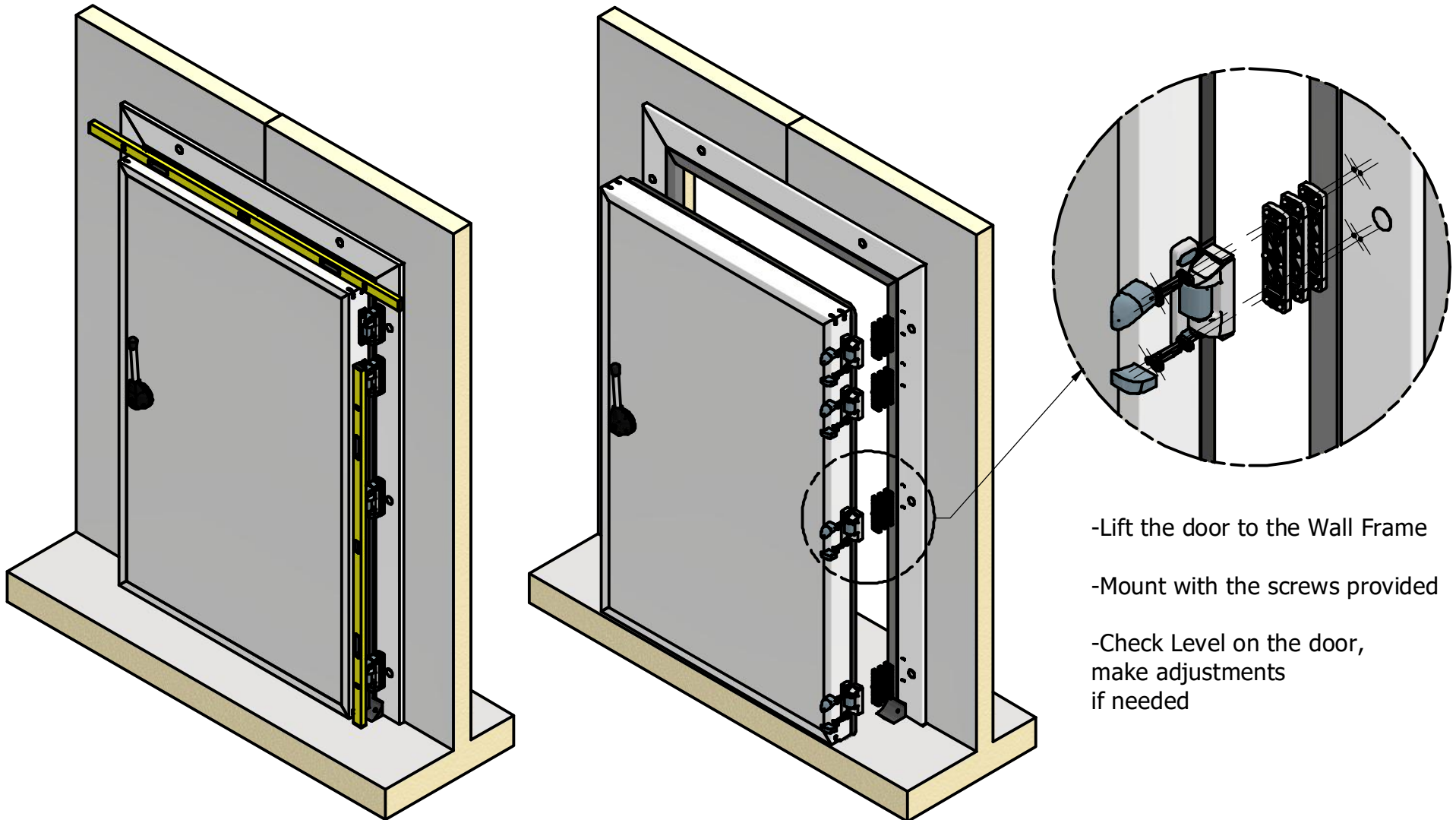
HINGE ASSEMBLY



-Assemble Hinges to the door
before assembling to the wall frame

Adjustment screw
facing down when
installed

MOUNTING THE DOOR



- Lift the door to the Wall Frame
- Mount with the screws provided
- Check Level on the door, make adjustments if needed

INSIDE TRIM

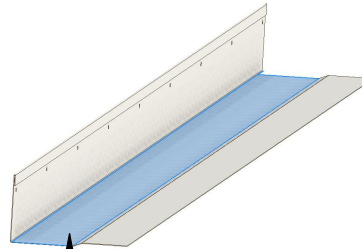
The trim slips inside the Thermal Break



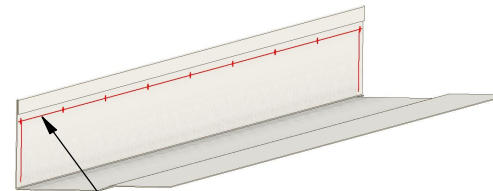
Before installing the inside trim

-Heat up & bend the tip of applicator to fill this area with 798

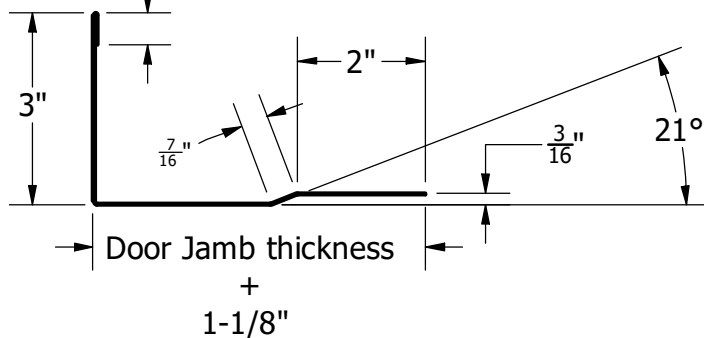
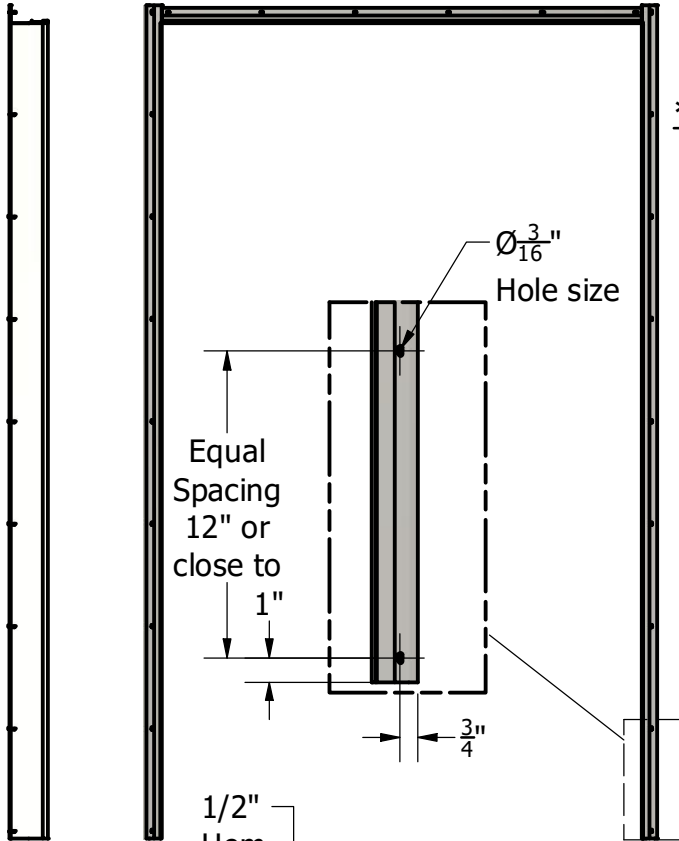
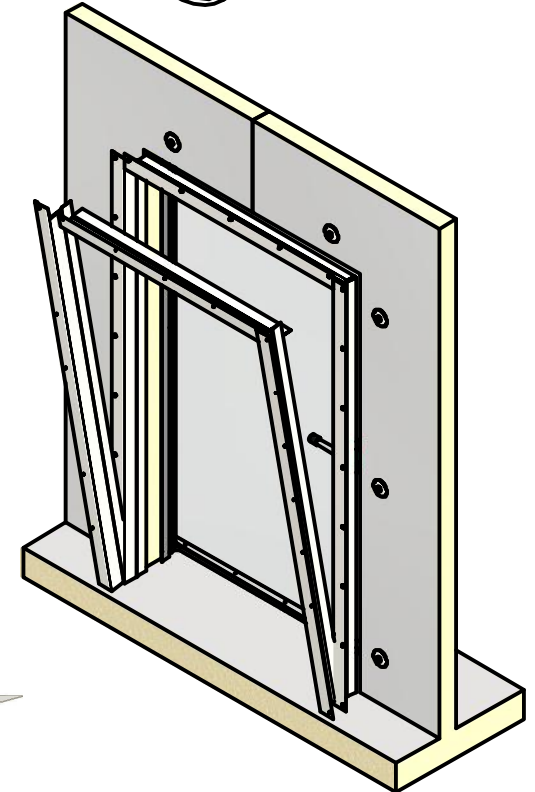
DO THIS FOR THE LENGTH OF ALL (3) THERMAL BREAKS



Sprayfoam the highlighted area to fill the gap between the wall and the trim



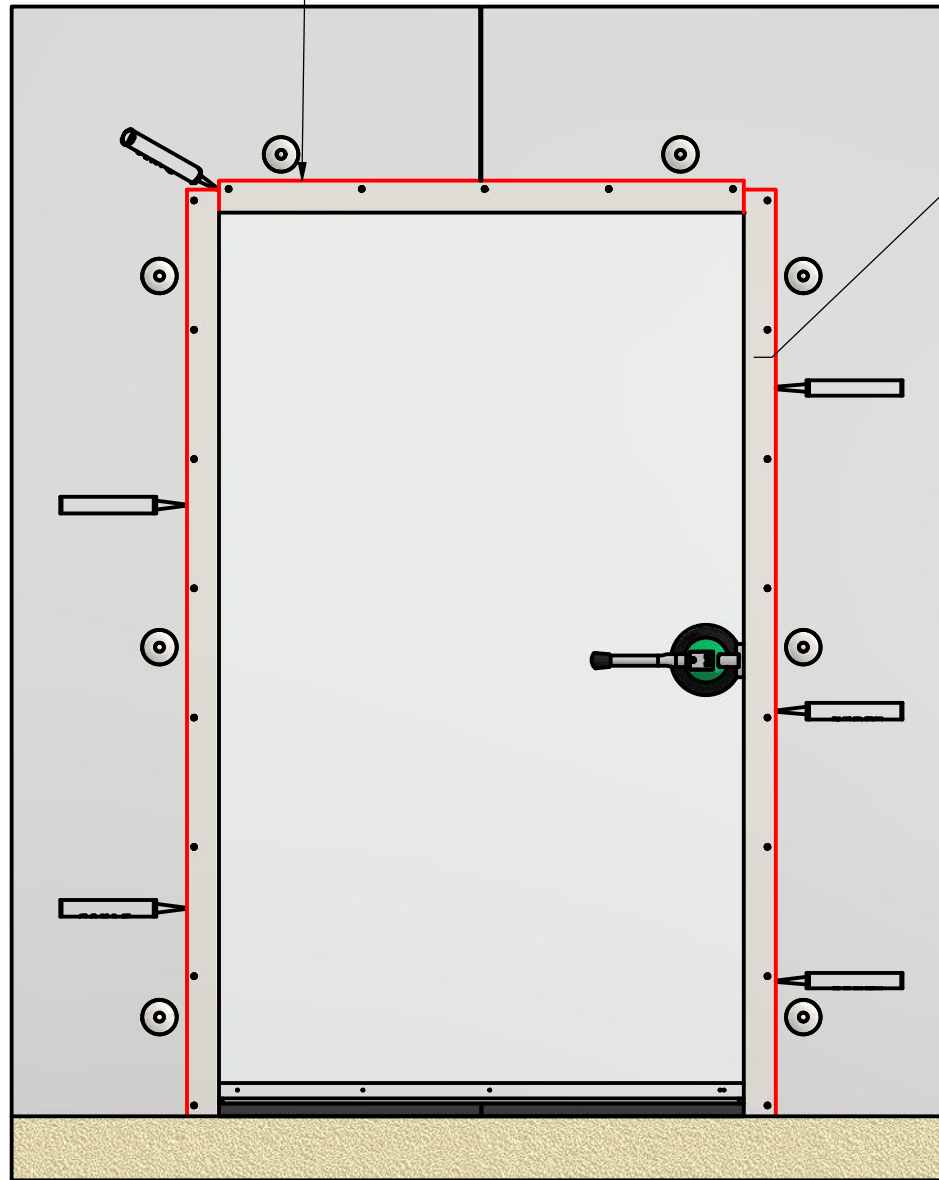
-Run a bead of NP1 down the screwline & around the holes



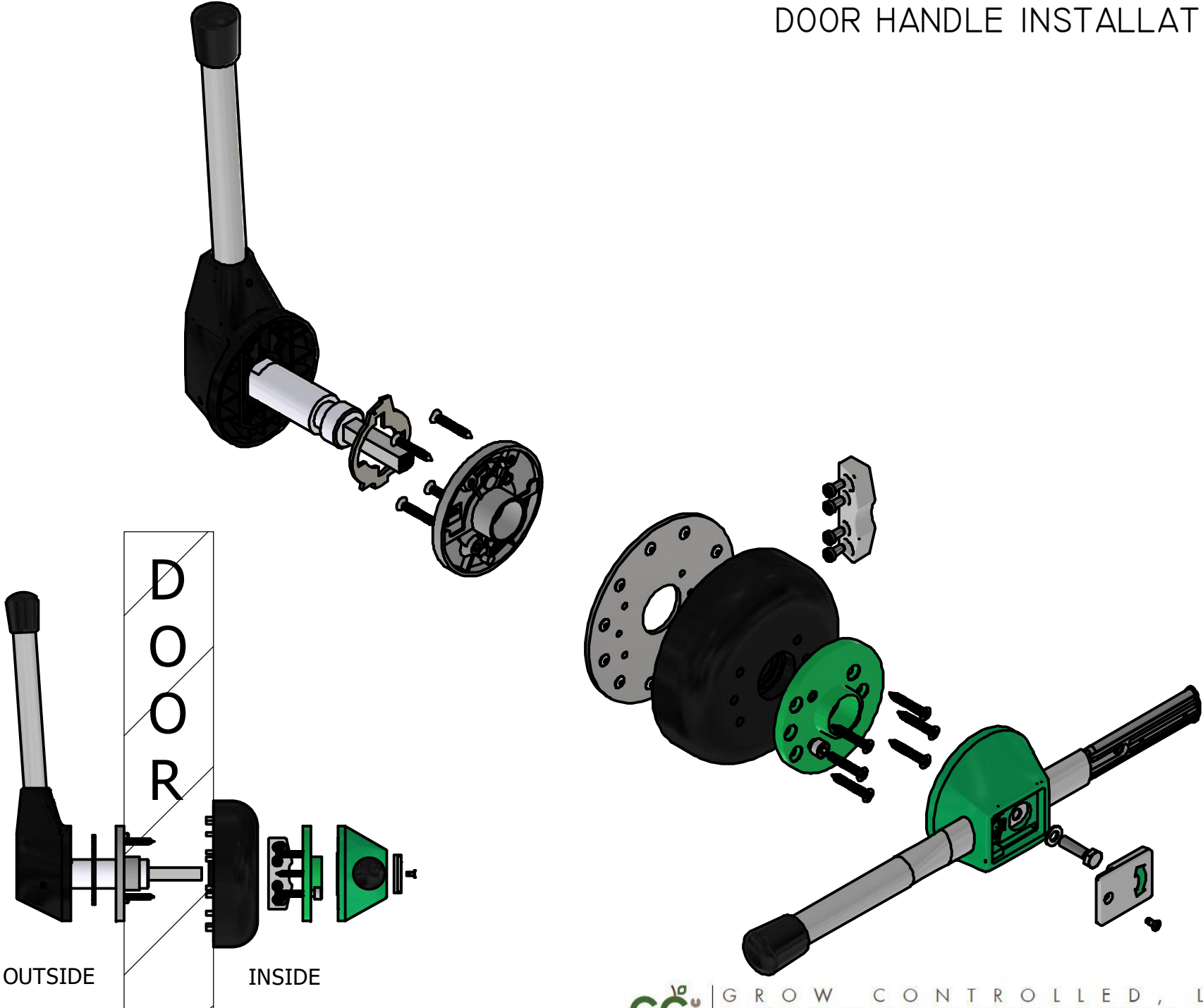
INSIDE TRIM

-Seal all around the perimeter of the trim with 798 or NP150, Silicone

-The top corners of the side trim are cut to be able to form the corners

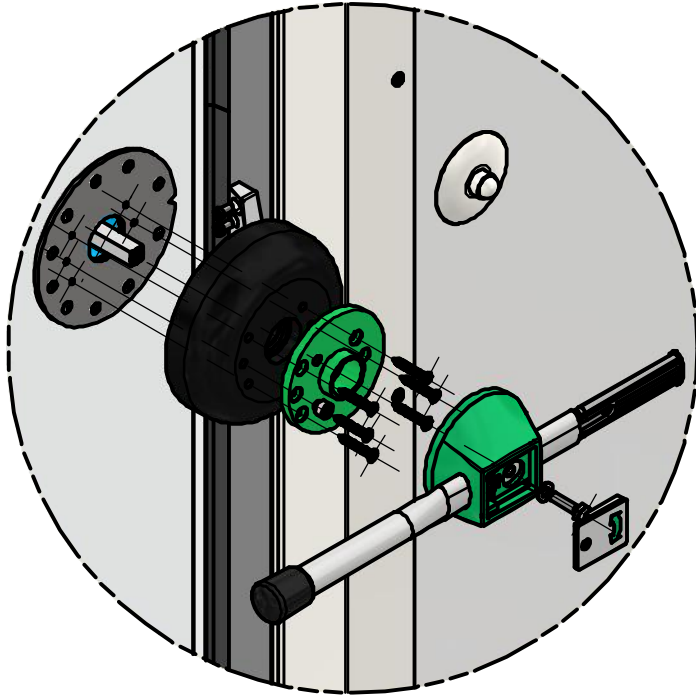


DOOR HANDLE INSTALLATION

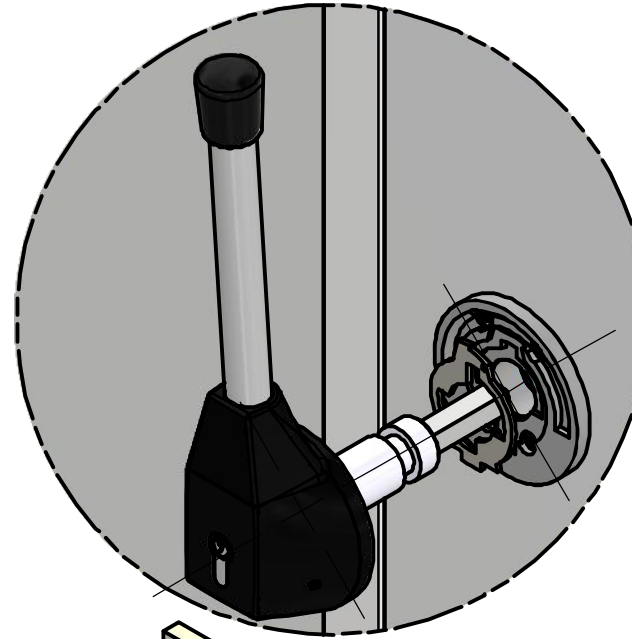


GROW CONTROLLED, LLC
100 APPLEWOOD DRIVE SPARTA MICHIGAN - SODUS NEW YORK - UNION GAP WASHINGTON - PADDOCK WOOD UK
T 616.256.0420 - F 616.887.1128 - INFO@GROWCONTROLLED.COM - GROWCONTROLLED.COM

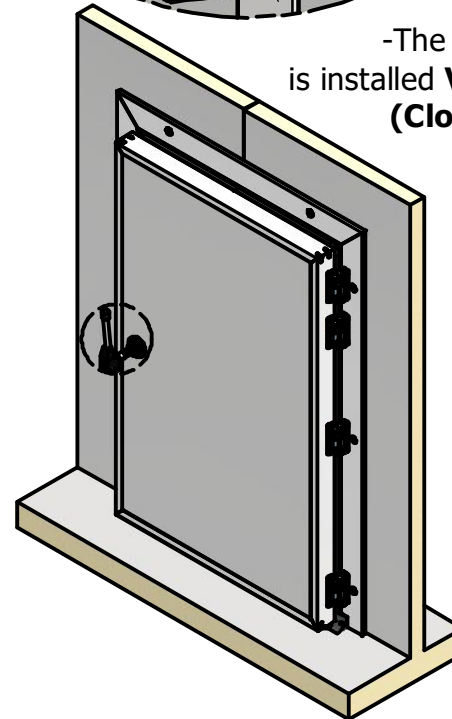
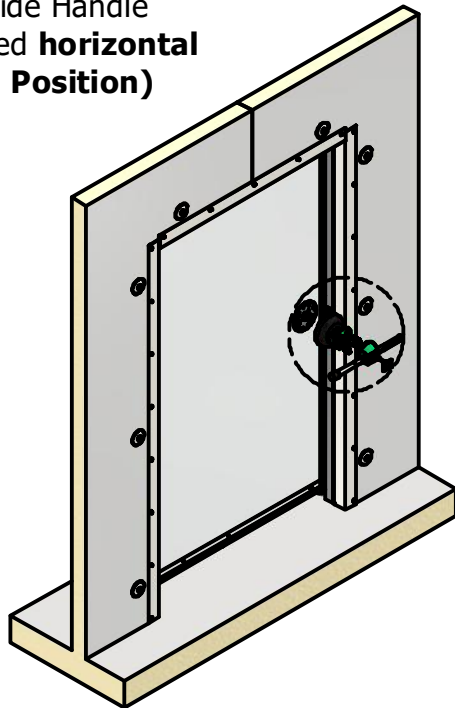
DOOR HANDLE INSTALLATION



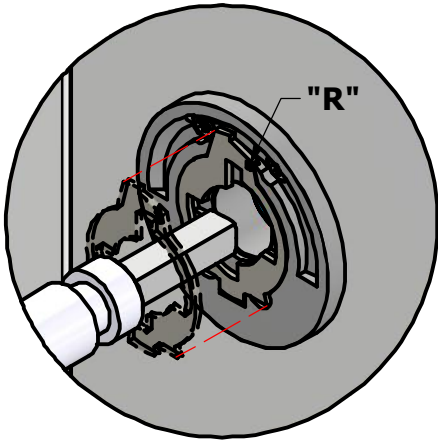
-The Inside Handle is installed **horizontal (Closed Position)**



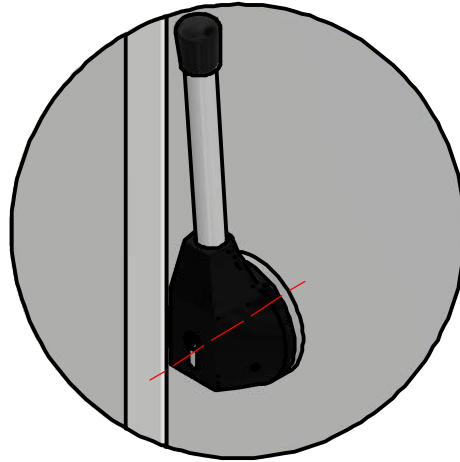
-The Outside Handle is installed **Vertical & UPRIGHT (Closed position)**



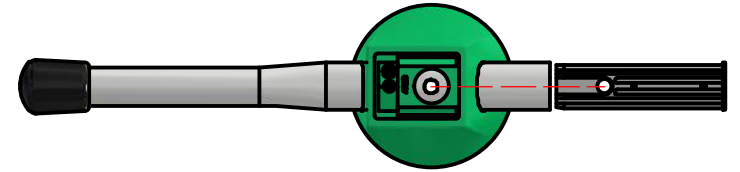
DOOR HANDLE INSTALLATION



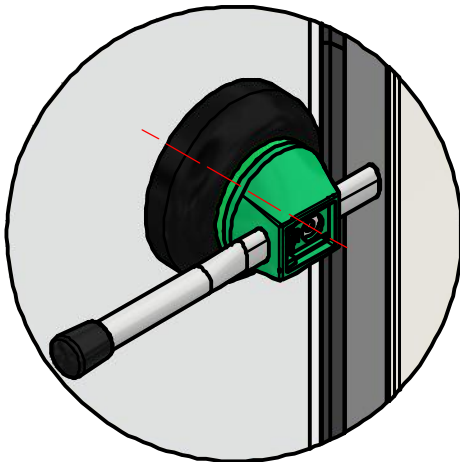
1. **Insert Inlay** into the Outside Guide, "L" for Left Hinge, "R" for Right Hinge



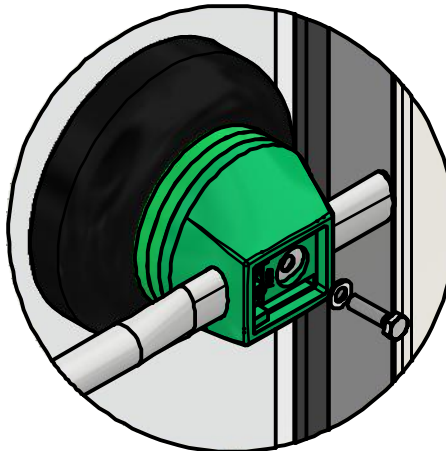
2. **Insert Outside Handle** through the Guide. Handle should be pointing up



3. Insert the Inside End Piece into the the end of the Inside Handle

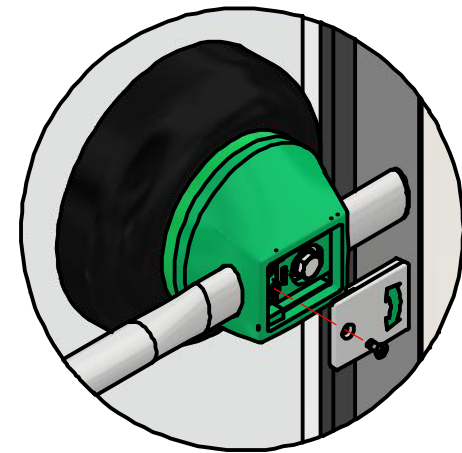


4. **Place the Inside Handle** on the square pin.
The handle should be horizontal



5. Insert the **washer** and tighten the **hex head screw**

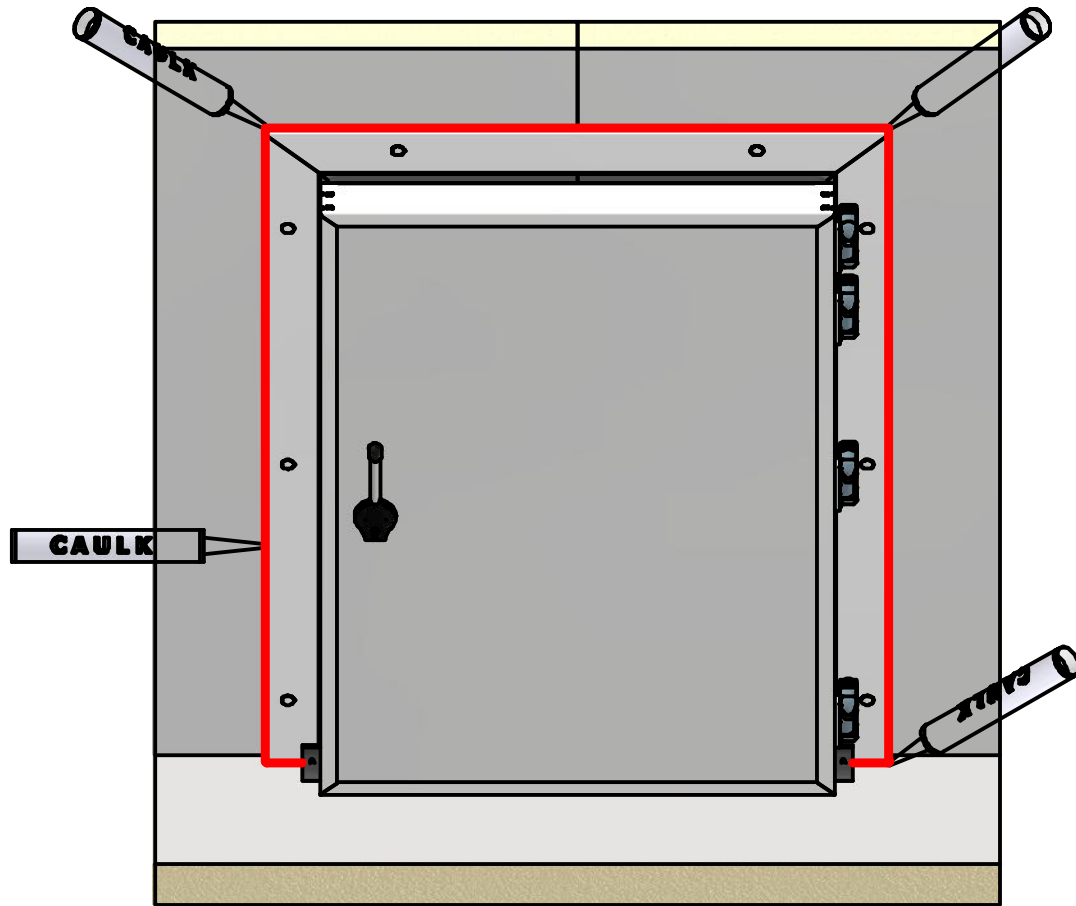
NOTE: The sides of the hex head must be horizontal so that the cover cap can be inserted. This keeps the screw from turning when opening the door.



6. Insert the **Cover Cap**, install with the Phillips screw

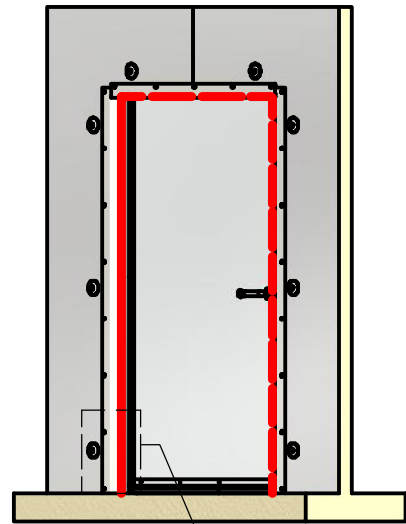


CAULK THE WALL FRAME

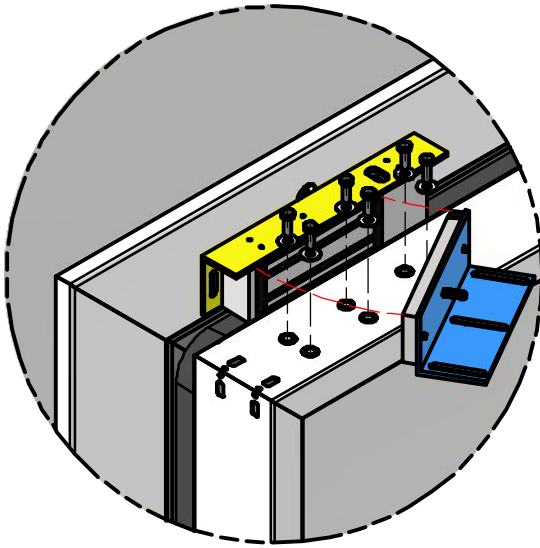


-Caulk the perimeter of the wall frame
(302 White)

-Caulk the gap between the Thermal Break
& the Inside Trim



INSTALLING THE MAGLOCK



-Place the Maglock L-Brackets on the door, as shown

-Position the assembly as needed for the two halves to make full contact.

-Center punch & Drill threaded rod holes for the wall frame bracket

-Follow the same instructions used in 'MOUNTING THE WALL FRAME', to fasten the Maglock Bracket to the wall frame (Threaded Rod, washers, hex nut, Locknut, Finishing Disc, caulk)

-Fasten the other half to the top face of the door using the washers and screws provided (M8)

